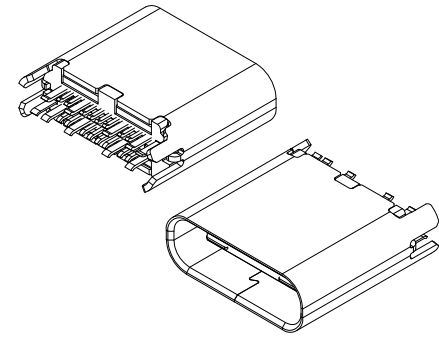
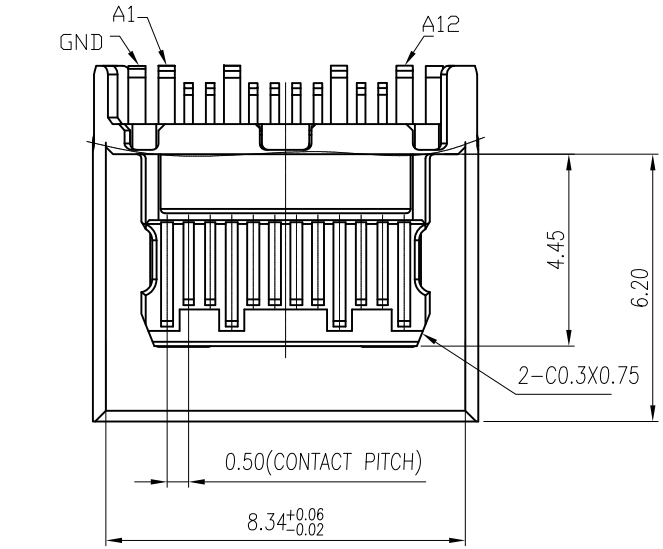
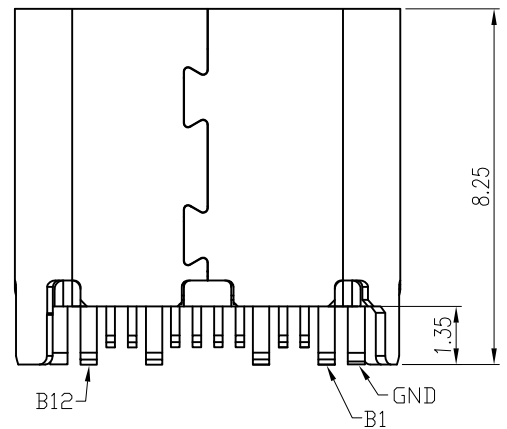
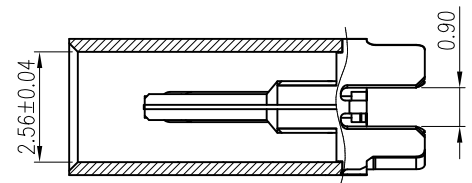
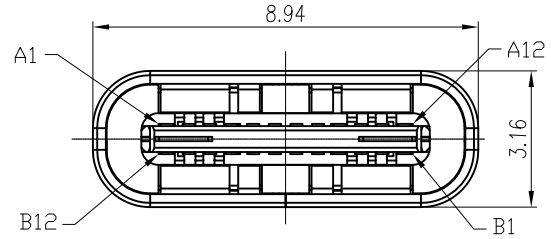


1 2 3 4 5 6 7 8

REV.	ECN NO	LOCATIONS	DESCRIPTION	DATE	REVISER	APPD



NOTE:
 1.ELECTRICAL CHARACTERISTICS;
 1.1 CONTACT RESISTANCE: 40mΩ Max FOR INITIAL. 50mΩ CHANGE AFTER TEST. MEASURE AT 20mV, 100mA.
 1.2 CONTACT CURRENT RATING: 5A FOR VBUS PIN; 1.25A FOR VCONN PIN.
 1.3 DIELECTRIC WITHSTANDING VOLTAGE: 100V AC R.M.S.
 1.4 INSULATION RESISTANCE 100MΩ Min
 1.5 OPERATING TEMPERATURE: -40°C ° 85°C
 2.MECHANICAL CHARACTERISTICS:
 2.1 MATING FORCE: 5~20N
 2.2 UNMATED FORCE: 8~20N
 2.3 DURABILITY: 10,000 CYCLES



4	Shell	1	SUS	T=0.30mm	matte Tin Plated/Nickel Plated
3	Gnd plates	3	SUS	T=0.10mm	Solder area: Gold Plated
2	Contact	24	COPPER ALLOY	T=0.15mm	Contact area: 0.8~30u" Gold Plated Solder area: 80u"min. matte Tin Plated over Nickel
1	Housing	3	THERMOPLASTIC	UL 94-V0	Black
No.	Name	Q'ty	Material	Remarks & Thickness	Finish

PRAT NO: U31C888-02S2K-01-N1		MATERIAL:			
MODEL NO:		FINISH:			
UNIT: mm	SAZE: A4	COLOR:		PART NAME:	
TOLERANCE UNSPECIFIED		DR: 趙承寶 '15/04/16		USB3.1-C TYPE(F)180°弯式(8.25mm)	
.X ±0.30	.XX ±0.20	CHK: 趙承寶 '15/04/16		DWG NO: S/A-728	REV. A0
.XXX ±0.10	ANG ±1°	APP: Kent '15/04/16		SCALE: 1:1	SHEET: 1 of 2

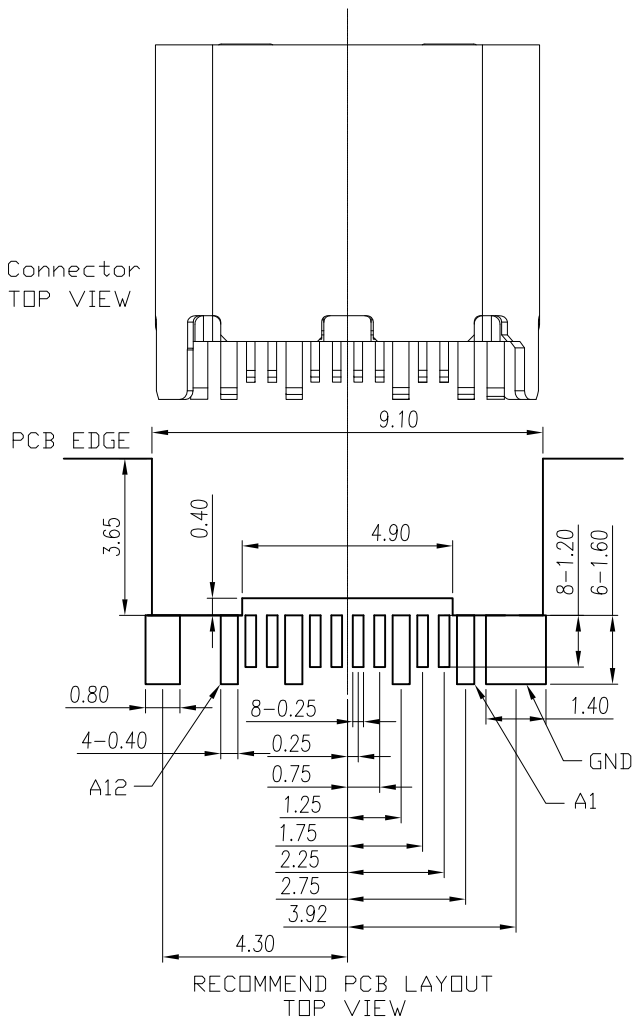
ROHS Compliant

USB TID 5200000110

1 2 3 4 5 6 7 8

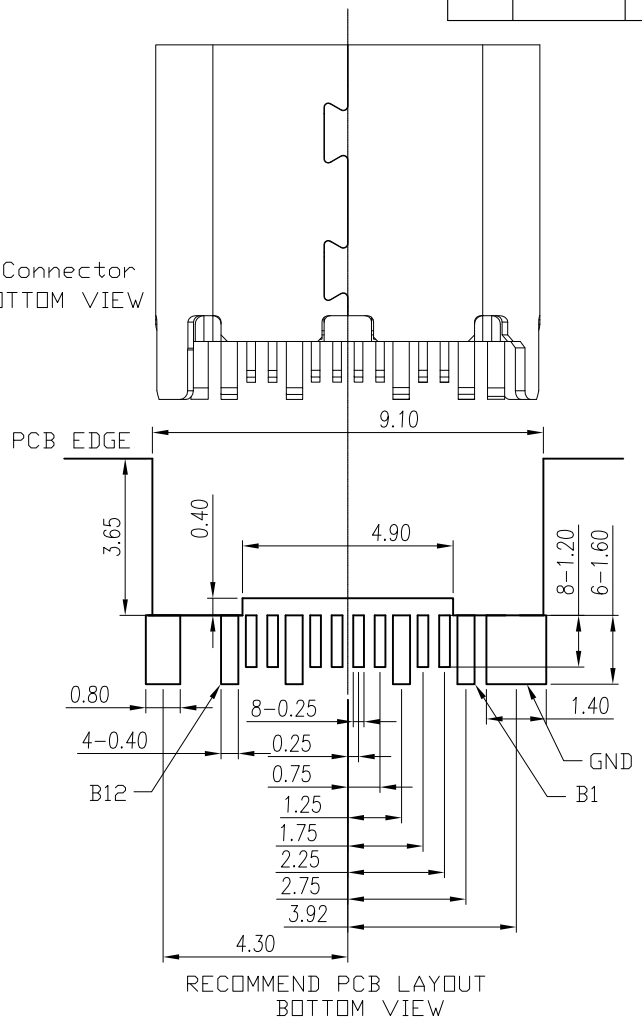
REV.	ECN NO	LOCATIONS	DESCRIPTION	DATE	REVISER	APPD

Connector TOP VIEW



RECOMMEND PCB LAYOUT TOP VIEW

Connector BOTTOM VIEW

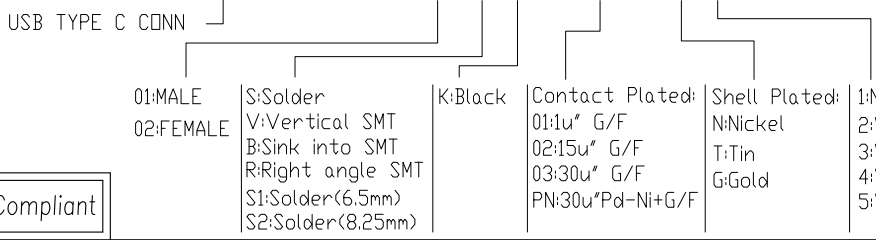


RECOMMEND PCB LAYOUT BOTTOM VIEW

Pin Assignments

Pin No	Signal Name	Signal Name	Pin No
A1	GND	GND	B12
A2	TX1+	RX1+	B11
A3	TX1-	RX1-	B10
A4	Vbus	Vbus	B9
A5	CC1	SBU2	B8
A6	D+	D-	B7
A7	D-	D+	B6
A8	SBU1	CC2	B5
A9	Vbus	Vbus	B4
A10	RX2-	TX2-	B3
A11	RX2+	TX2+	B2
A12	GND	GND	B1

PRODUCT NO. MATRIX:
U31C888-01SK-01-N1



ROHS Compliant

PRAT NO: U31C888-02SK-01-S1		MATERIAL:		
MODEL NO:		FINSH:		
UNIT: mm	SAZE: A4	COLOR:	PART NAME:	
TOLERANCE UNSPECIFIED		DR: 趙承寶 '15/04/16	USB3.1-C TYPE(F)180°夾式(8.25mm)	
.X ±0.30	.XX ±0.20	CHK: 趙承寶 '15/04/16	DWG NO: S/A-728	REV: A0
.XXX ±0.10	ANG ±1	APP: Kent '15/04/16	SCALE: 1:1	SHEET: 2 of 2

