

REV.	ECN NO	LOCATIONS	DESCRIPTION	DATE	REVISER	APPD

Note:

Specification:

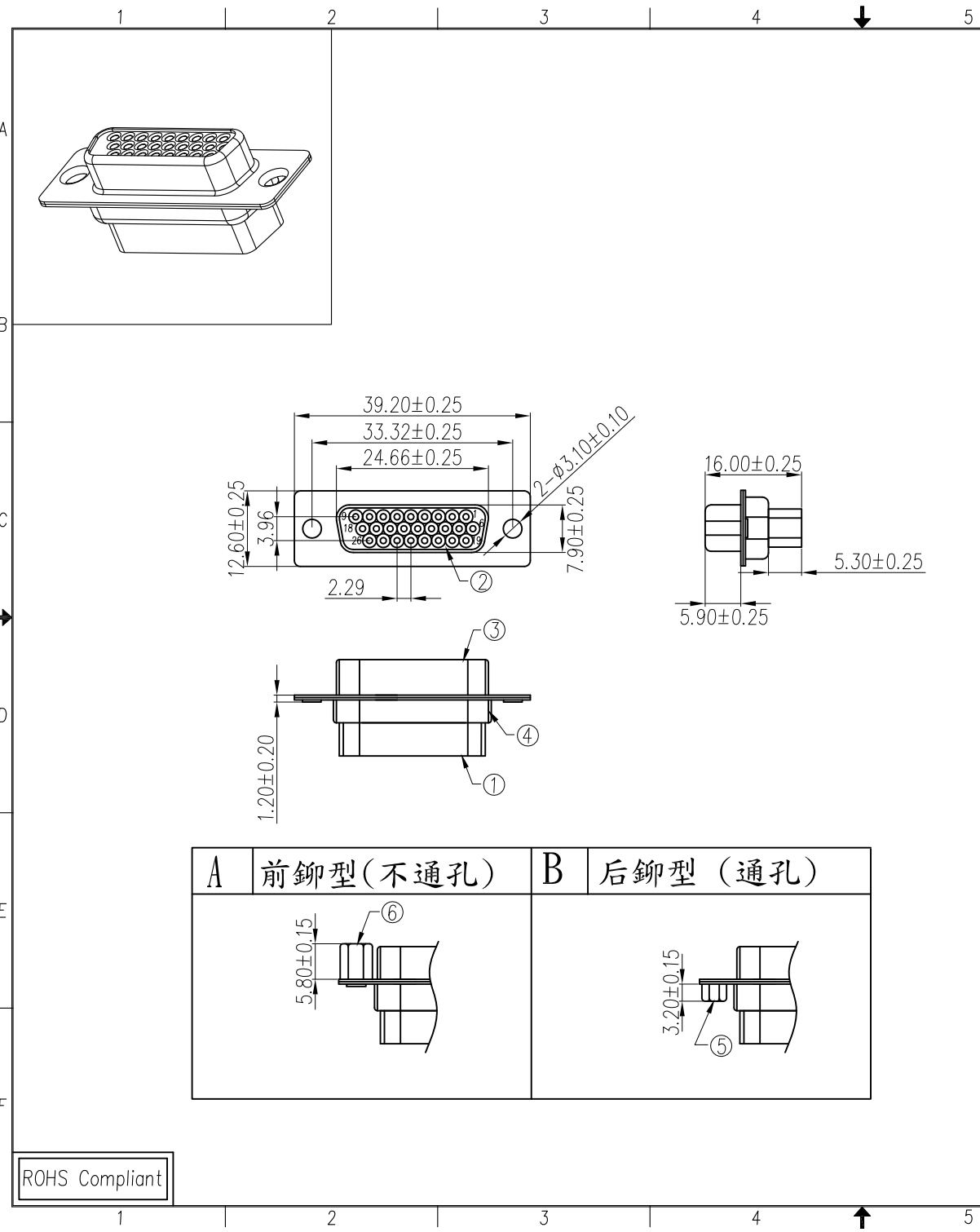
1. Current rating: 1 A Max.
2. Dielectric withstanding voltage: 500 V(ac) for 1 minute.
3. Contact resistance: 30 mΩ Max.
4. Insulation resistance: 1000 MΩ Min at DC 500V.
5. Insertion force: 5.5 Kgf Max.
6. Extraction force: 1.5 Kgf Min.
7. Temperature range: -55°C~+105°C

A	前鉗型(不通孔)	B	后鉗型(通孔)

7	Clip	15	Stainless steel	T=0.10mm	NO
6	8.0 Nut	2	Brass	H4.75*8.0	80u"min Nickel Plated
5	3B Nut	2	Brass	H4.75*4.75	80u"min Nickel Plated
4	Back-shell	1	Cold Rolled Steel	T=0.40mm	Cu:40u"min. 80u"min Tin Plated
3	Front-shell	1	Cold Rolled Steel	T=0.40mm	Cu:40u"min. 80u"min Nickel Plated
2					
1	Housing	2	P.B.T	UL 94-V0	Black
No.	Part Name	Q'ty	Material	Remarks & Thickness	Finish

PART NO:		MATERIAL:			
MODEL NO:		FINSH:			
UNIT: mm	SIZE: A4	COLOR:		PART NAME:	
TOLERANCE UNSPECIFIED		DR: 常 各 '06/04/05		D-SUB HDD CRIMP 15PIN(F)	
.x	±0.30	CHK: Song '06/04/05		DWG NO: S/A-124	REV: A0
.xx	±0.20	APP: Kent '06/04/05		SCALE: 1:1	SHEET: 1 of 1
.xxx	±0.10				
ANG.	±1°				

ROHS Compliant



REV.	ECN NO	LOCATIONS	DESCRIPTION	DATE	REVISER	APPD

Note:

Specification:

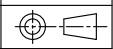
1. Current rating: 1 A Max.
2. Dielectric withstanding voltage: 500 V(ac) for 1 minute.
3. Contact resistance: 30 mΩ Max.
4. Insulation resistance: 1000 MΩ Min at DC 500V.
5. Insertion force: 7.5 Kgf Max.
6. Extraction force: 1.7 Kgf Min.
7. Temperature range: -55°C~+105°C

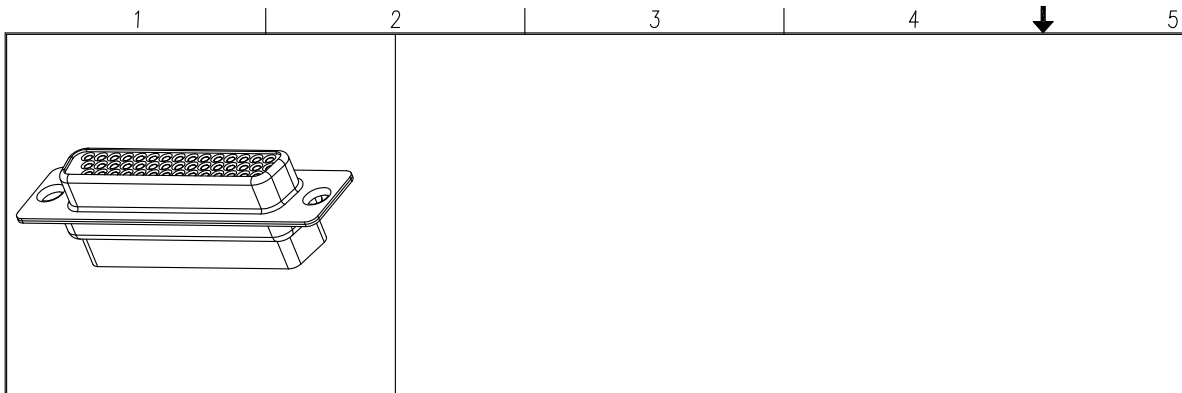
A	前鉗型(不通孔)	B	后鉗型(通孔)

ROHS Compliant

7	Clip	26	Stainless steel	T=0.10mm	NO
6	8.0 Nut	2	Brass	H4.75*8.0	80u"min Nickel Plated
5	3B Nut	2	Brass	H4.75*4.75	80u"Nickel Plated
4	Back-shell	1	Cold Rolled Steel	T=0.40mm	Cu:40u"min. 80u"min Tin Plated
3	Front-shell	1	Cold Rolled Steel	T=0.40mm	Cu:40u"min. 80u"min Nickel Plated
2					
1	Housing	2	P.B.T	UL 94-V0	Black
No.	Part Name	Q'ty	Material	Remarks & Thickness	Finish

PART NO:		MATERIAL:			
MODEL NO:		FINISH:			
UNIT: mm	SIZE: A4	COLOR:		PART NAME:	
TOLERANCE UNSPECIFIED		DR: 段林麗 105/04/20		D-SUB HDD CRIMP 26PIN(F)	
.x	±0.30	CHK: Song 105/04/20		DWG NO:	s/A-125
.xx	±0.20	APP: Kent 105/04/20		SCALE:	1:1
.xxx	±0.10			SHEET:	1 of 1
ANG.	±1°			REV:	A0



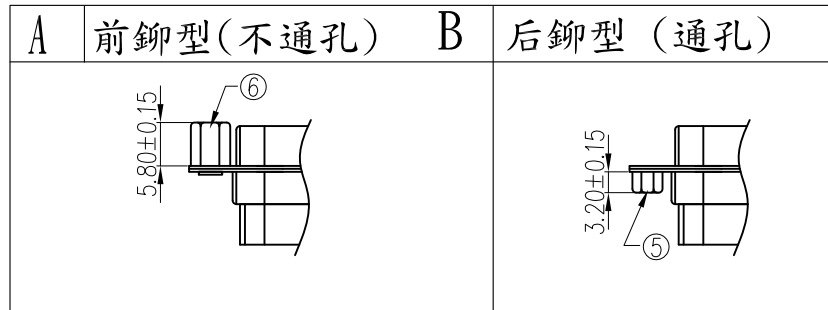
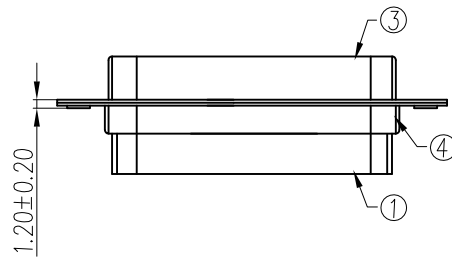
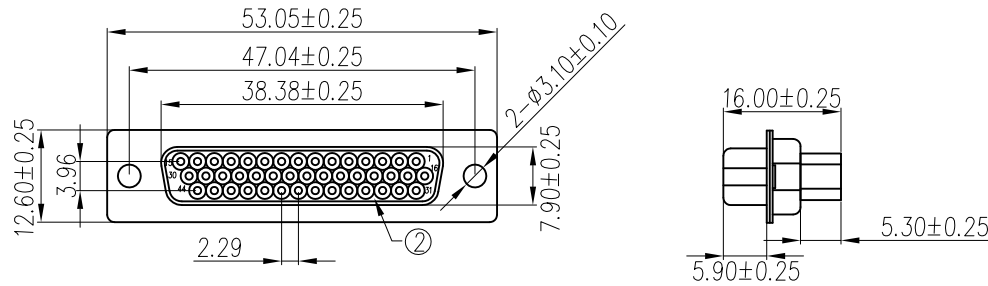


REV.	ECN NO	LOCATIONS	DESCRIPTION	DATE	REVISER	APPD

Note:

Specification:

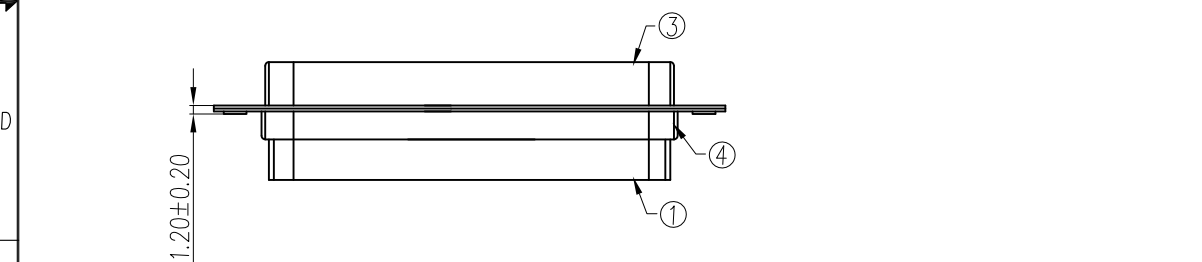
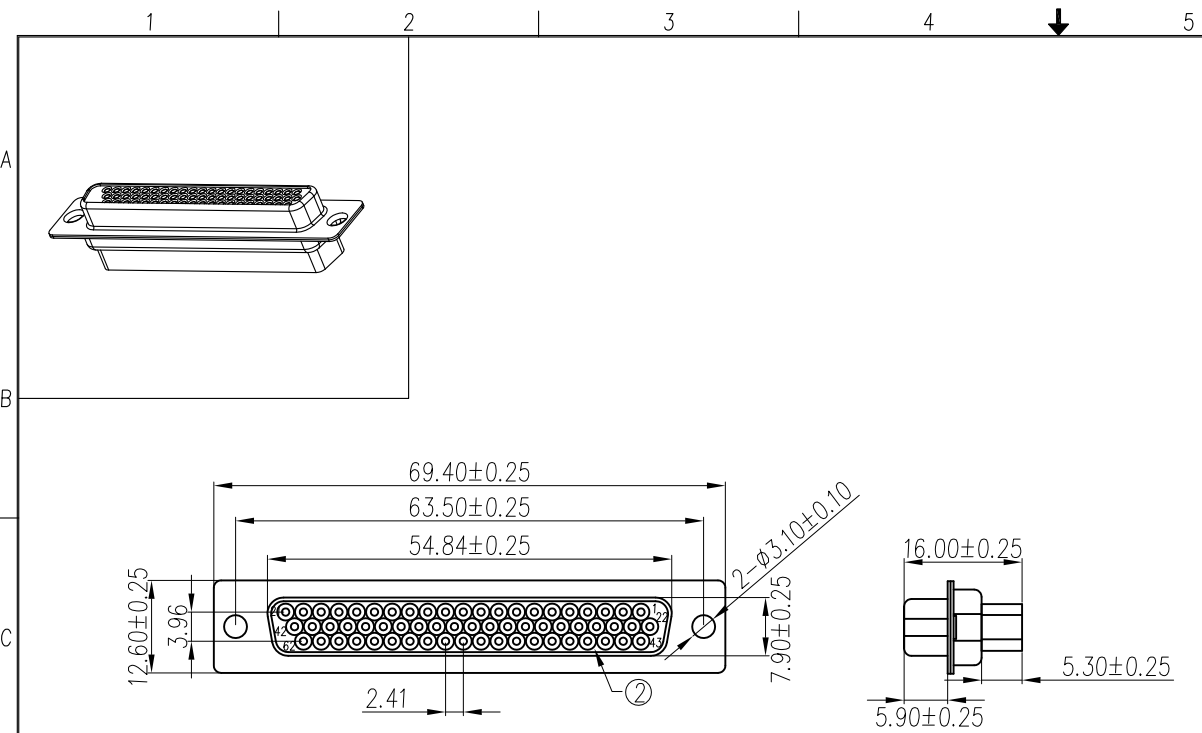
1. Current rating: 1 A Max.
2. Dielectric withstanding voltage: 500 V(ac) for 1 minute.
3. Contact resistance: 30 mΩ Max.
4. Insulation resistance: 1000 MΩ Min at DC 500V.
5. Insertion force: 9.0 Kgf Max.
6. Extraction force: 2.5 Kgf Min.
7. Temperature range: -55°C~+105°C



7	Clip	44	Stainless steel	T=0.10mm	NO
6	8.0 Nut	2	Brass	H4.75*8.0	80u"min Nickel Plated
5	3B Nut	2	Brass	H4.75*4.75	80u"min Nickel Plated
4	Back-shell	1	Cold Rolled Steel	T=0.40mm	Cu: 40u"min. 80u"min Tin Plated
3	Front-shell	1	Cold Rolled Steel	T=0.40mm	Cu: 40u"min. 80u"min Nickel Plated
2					
1	Housing	2	P.B.T	UL 94-V0	Black
No.	Part Name	Q'ty	Material	Remarks & Thickness	Finish

PART NO:		MATERIAL:			
MODEL NO:		FINISH:			
UNIT: mm	SIZE: A4	COLOR:		PART NAME:	
TOLERANCE UNSPECIFIED		DR: 段林麗 '06/04/05		D-SUB HDD CRIMP 44PIN(F)	
.x	±0.30	CHK: Song '06/04/05		DWG NO: S/A-126	REV: A0
.xx	±0.20	APP: Kent '06/04/05		SCALE: 1:1	SHEET: 1 of 1
.xxx	±0.10				
ANG.	±1°				

ROHS Compliant



A	前鉗型(不通孔)	B	后鉗型(通孔)

ROHS Compliant

REV.	ECN NO	LOCATIONS	DESCRIPTION	DATE	REVISER	APPD

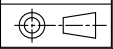
Note:

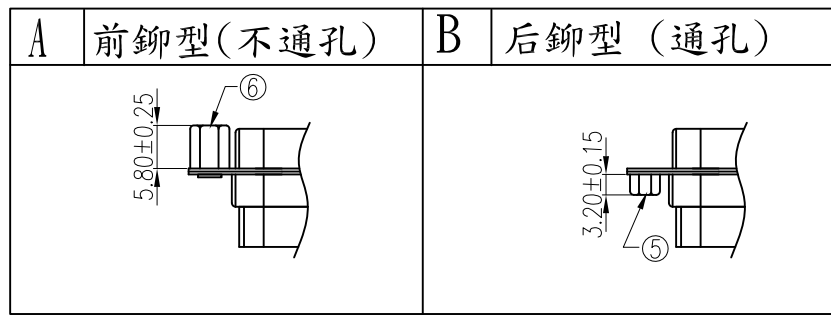
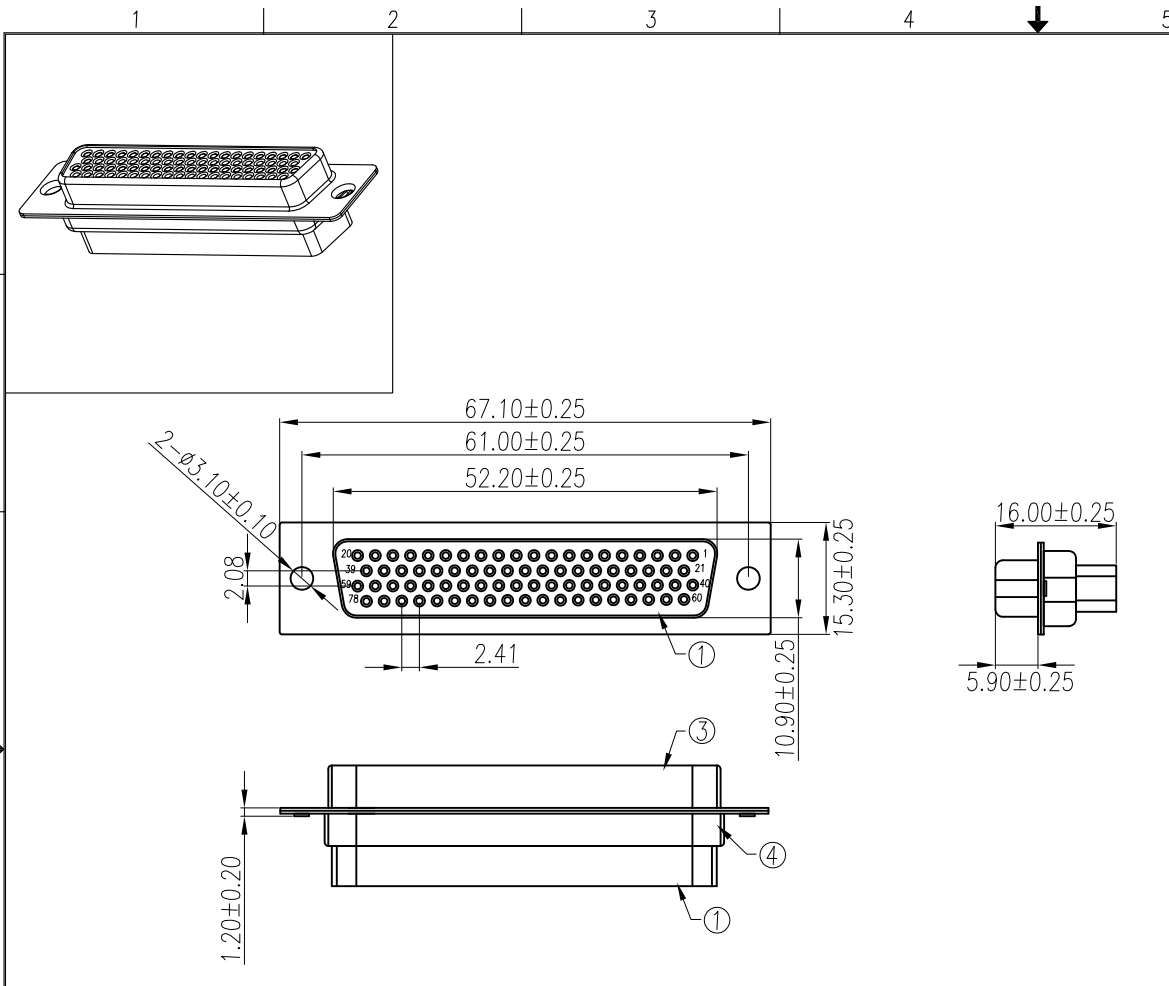
Specification:

1. Current rating: 1 A Max.
2. Dielectric withstanding voltage: 500 V(ac) for 1 minute.
3. Contact resistance: 30 mW Max.
4. Insulation resistance: 1000 MW Min at DC 500V.
5. Insertion force: 11.5 Kgf Max.
6. Extraction force: 3.0 Kgf Min.
7. Temperature range: -55°C~+105°C

7	Clip	62	Stainless steel	T=0.10mm	NO
6	8.0 Nut	2	Brass	H4.75*8.0	80u"min Nickel Plated
5	3B Nut	2	Brass	H4.75*4.75	80u"min Nickel Plated
4	Back-shell	1	Cold Rolled Steel	T=0.40mm	Cu:40u"min. 80u"min Tin Plated
3	Front-shell	1	Cold Rolled Steel	T=0.40mm	Cu:40u"min. 80u"min Nickel Plated
2					
1	Housing	2	P.B.T	UL 94-V0	Black
No.	Part Name	Q'ty	Material	Remarks & Thickness	Finish

PART NO:		MATERIAL:			
MODEL NO:		FINISH:			
UNIT: mm	SIZE: A4	COLOR:		PART NAME:	
TOLERANCE UNSPECIFIED		DR: 段林麗 '05/04/20		D-SUB HDD CRIMP 62PIN(F)	
.x	±0.30	CHK: Song '05/04/20		DWG NO:	S/A-127
.xx	±0.20	APP: Kent '05/04/20		SCALE:	1:1
.xxx	±0.10			SHEET:	1 of 1
ANG.	±1°			REV:	A0





ROHS Compliant

REV.	ECN NO	LOCATIONS	DESCRIPTION	DATE	REVISER	APPD

Note:

Specification:

1. Current rating: 1 A Max.
2. Dielectric withstanding voltage: 500 V(ac) for 1 minute.
3. Contact resistance: 30 mΩ Max.
4. Insulation resistance: 1000 MΩ Min at DC 500V.
5. Insertion force: 10.0 Kgf Max.
6. Extraction force: 6.0 Kgf Min.
7. Temperature range: -55°C~+105°C

7	Clip	78	Stainless steel	T=0.10mm	NO
6	8.0 Nut	2	Brass	H4.75*8.0	80~120u"Nickel Plated
5	3B Nut	2	Brass	H4.75*4.75	80~120u"Nickel Plated
4	Back-shell	1	Cold Rolled Steel	T=0.40mm	Cu:40u"min. 80~120u"Tin Plated
3	Front-shell	1	Cold Rolled Steel	T=0.40mm	Cu:40u"min. 80~120u"Nickel Plated
2					
1	Housing	2	P.B.T	UL 94-V0	Black
No.	Part Name	Q'ty	Material	Remarks & Thickness	Finish

PART NO:		MATERIAL:			
MODEL NO:		FINSH:			
UNIT: mm	SIZE: A4	COLOR:		PART NAME:	
TOLERANCE UNSPECIFIED		DR: 何術容 '06/06/19		D-SUB HDD CRIMP 78PIN(F)	
.x ±0.30	.xx ±0.20	CHK: Kevin '06/06/19		DWG NO: S/A-130	REV: AO
.xxx ±0.10	ANG. ±1°	APP: Kent '06/06/19		SCALE: 1:1	SHEET: 1 of 1

