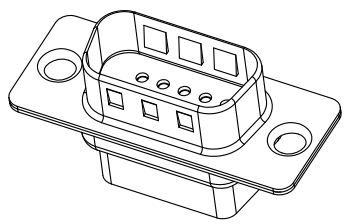


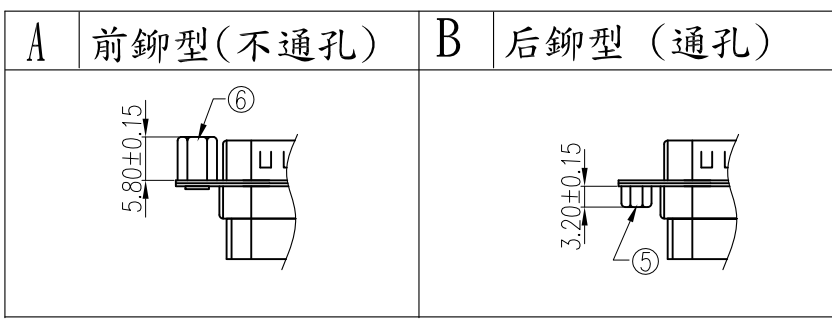
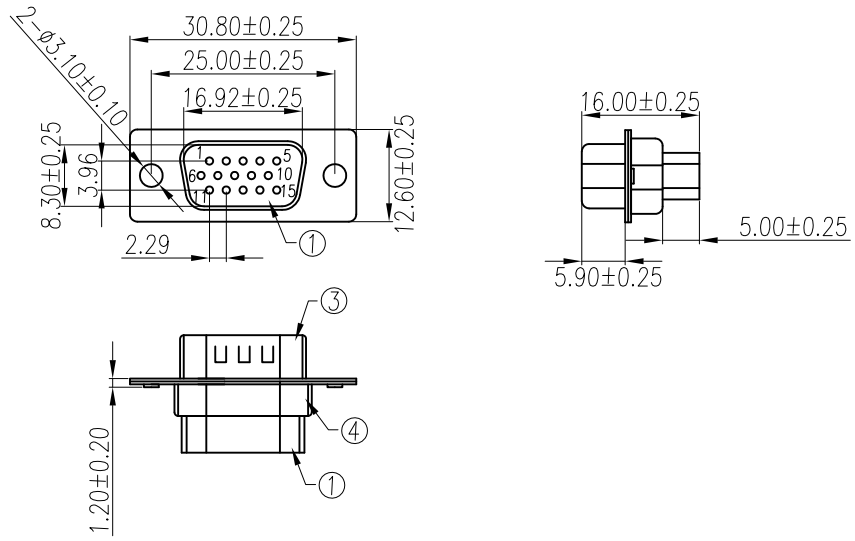
REV.	ECN NO	LOCATIONS	DESCRIPTION	DATE	REVISER	APPD



Note:

Specification:

1. Current rating: 1 A Max.
2. Dielectric withstanding voltage: 500 V(ac) for 1 minute.
3. Contact resistance: 30 mΩ Max.
4. Insulation resistance: 1000 MΩ Min at DC 500V.
5. Temperature range: -55°C~+105°C

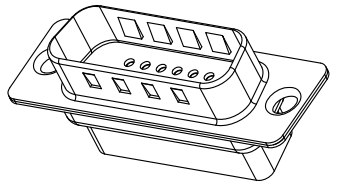


7	Clip	15	Stainless steel	T=0.10mm	NO
6	8.0 Nut	2	Brass	H4.75*8.0	80u"min Nickel Plated
5	3B Nut	2	Brass	H4.75*4.75	80u"min Nickel Plated
4	Back-shell	1	Cold Rolled Steel	T=0.40mm	Cu:40u"min. 80u"min Tin Plated
3	Front-shell	1	Cold Rolled Steel	T=0.40mm	Cu:40u"min. 80u"min Nickel Plated
2					
1	Housing	2	P.B.T	UL 94-V0	Black
No.	Part Name	Q'ty	Material	Remarks & Thickness	Finish

PART NO:		MATERIAL:			
MODEL NO:		FINISH:			
UNIT: mm	SIZE: A4	COLOR:		PART NAME:	
TOLERANCE UNSPECIFIED		DR: 段林麗 '06/04/05		D-SUB HDD CRIMP 15PIN(M)	
.x	±0.30	CHK: Kevin '06/04/05		DWG NO: S/A-120	REV: AO
.xx	±0.20	APP: Kent '06/04/05		SCALE: 1:1	SHEET: 1 of 1
.xxx	±0.10				
ANG.	±1°				

ROHS Compliant

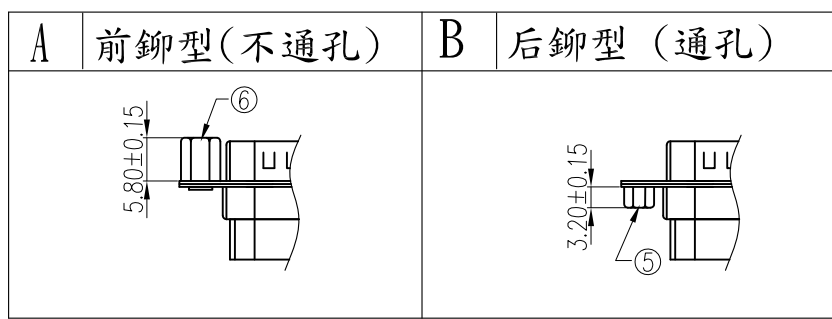
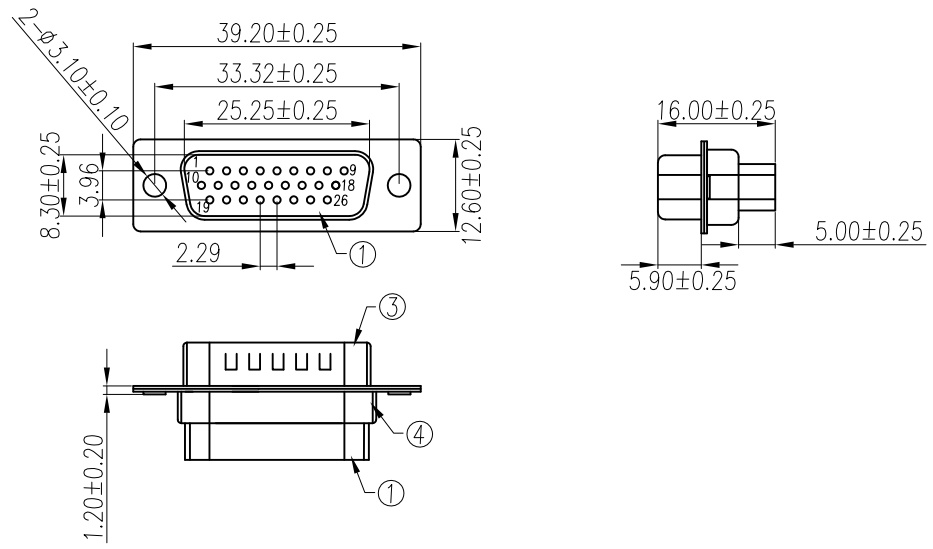
REV.	ECN NO	LOCATIONS	DESCRIPTION	DATE	REVISER	APPD



Note:

Specification:

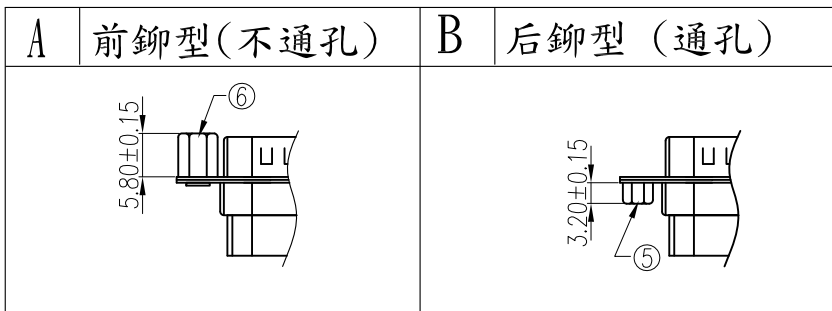
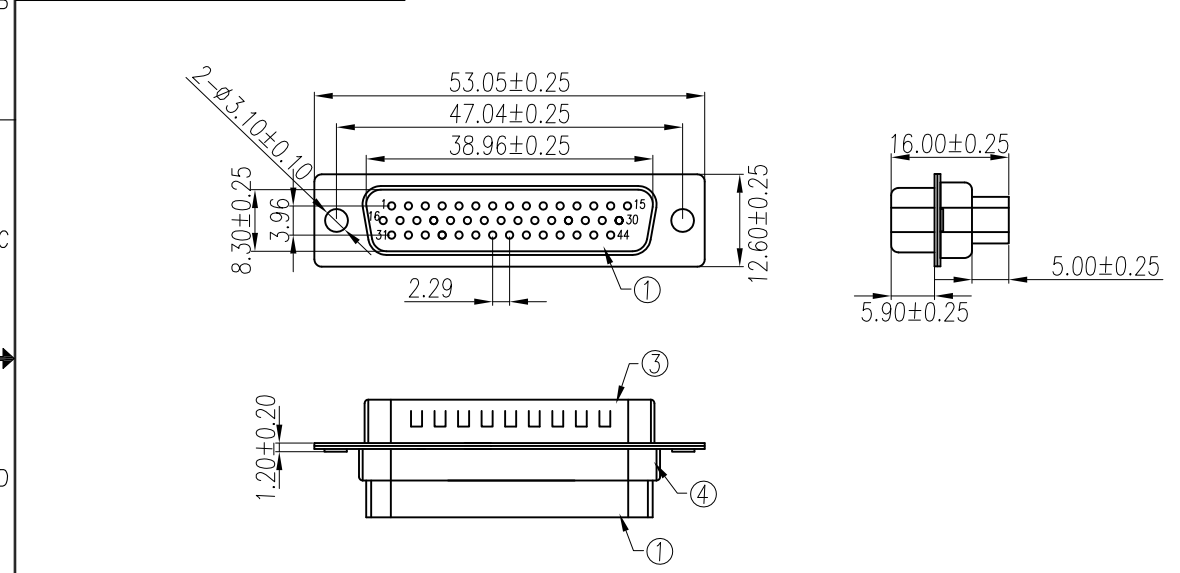
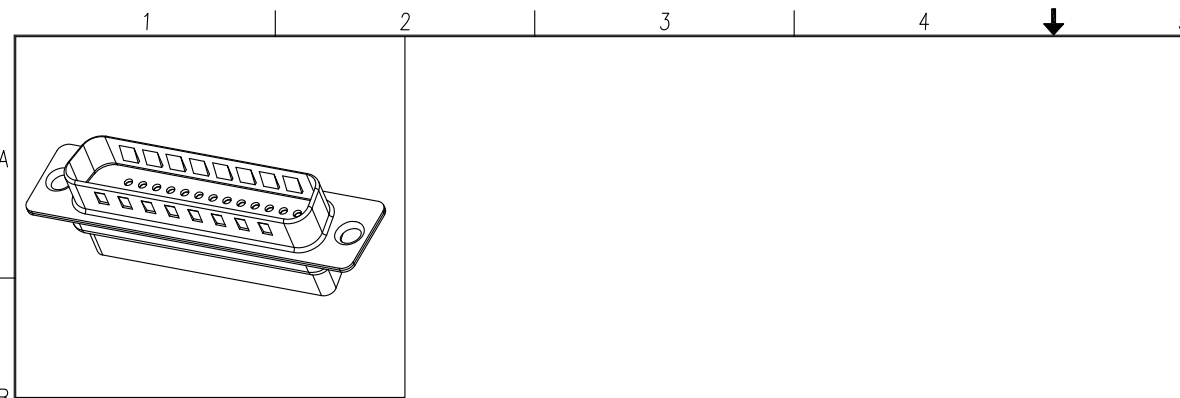
1. Current rating: 1 A Max.
2. Dielectric withstanding voltage: 500 V(ac) for 1 minute.
3. Contact resistance: 30 mΩ Max.
4. Insulation resistance: 1000 MΩ Min at DC 500V.
5. Temperature range: -55°C~+105°C



7	Clip	26	Stainless steel	T=0.10mm	NO
6	8.0 Nut	2	Brass	H4.75*8.0	80u"Min Nickel Plated
5	3B Nut	2	Brass	H4.75*4.75	80u"Min Nickel Plated
4	Back-shell	1	Cold Rolled Steel	T=0.40mm	Cu:40u"min. 80u"Min Tin Plated
3	Front-shell	1	Cold Rolled Steel	T=0.40mm	Cu:40u"min. 80u"Min Nickel Plated
2					
1	Housing	2	P.B.T	UL 94-V0	Black
No.	Part Name	Q'ty	Material	Remarks & Thickness	Finish

PART NO:		MATERIAL:			
MODEL NO:		FINISH:			
UNIT: mm	SIZE: A4	COLOR:		PART NAME:	
TOLERANCE UNSPECIFIED		DR: 段林麗 '06/04/05		D-SUB HDD CRIMP 26PIN(M)	
.x	±0.30	CHK: Kevin '06/04/05		DWG NO: S/A-121	REV: A0
.xx	±0.20	APP: Kent '06/04/05		SCALE: 1:1	SHEET: 1 of 1
.xxx	±0.10				
ANG.	±1°				

ROHS Compliant



REV.	ECN NO	LOCATIONS	DESCRIPTION	DATE	REVISER	APPD

Note:

Specification:

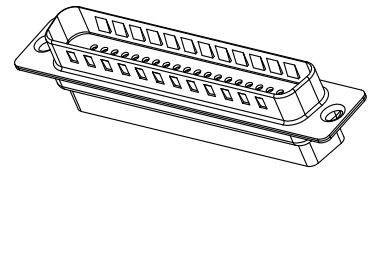
1. Current rating: 1 A Max.
2. Dielectric withstanding voltage: 500 V(ac) for 1 minute.
3. Contact resistance: 30 mΩ Max.
4. Insulation resistance: 1000 MΩ Min at DC 500V.
5. Temperature range: -55°C~+105°C

7	Clip	44	Stainless steel	T=0.10mm	NO
6	8.0 Nut	2	Brass	H4.75*8.0	80u"min Nickel Plated
5	3B Nut	2	Brass	H4.75*4.75	80u"min Nickel Plated
4	Back-shell	1	Cold Rolled Steel	T=0.40mm	Cu:40u"min. 80u"min Tin Plated
3	Front-shell	1	Cold Rolled Steel	T=0.40mm	Cu:40u"min. 80u"min Nickel Plated
2					
1	Housing	2	P.B.T	UL 94-V0	Black
No.	Part Name	Q'ty	Material	Remarks & Thickness	Finish

PART NO:		MATERIAL:			
MODEL NO:		FINISH:			
UNIT: mm	SIZE: A4	COLOR:		PART NAME:	
TOLERANCE UNSPECIFIED		DR: 段林麗 '06/04/05		D-SUB HDD CRIMP 44PIN(M)	
.x ±0.30	.xx ±0.20	CHK: Kevin '06/04/05		DWG NO: S/A-122	REV: A0
.xxx ±0.10	ANG. ±1°	APP: Kent '06/04/05		SCALE: 1:1	SHEET: 1 of 1

ROHS Compliant

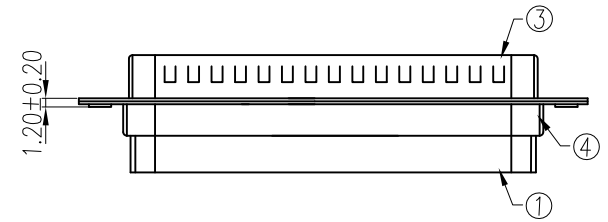
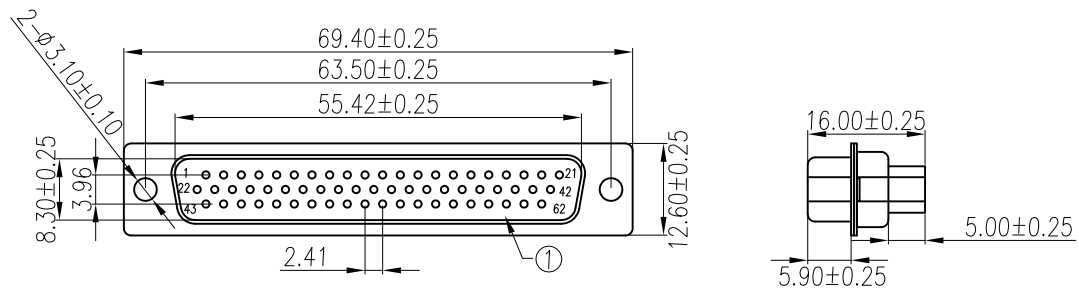
REV.	ECN NO	LOCATIONS	DESCRIPTION	DATE	REVISER	APPD



Note:

Specification:

1. Current rating: 1 A Max.
2. Dielectric withstanding voltage: 500 V(ac) for 1 minute.
3. Contact resistance: 30 mΩ Max.
4. Insulation resistance: 1000 MΩ Min at DC 500V.
5. Temperature range: -55°C~+105°C



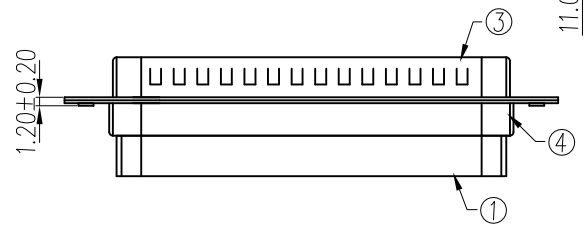
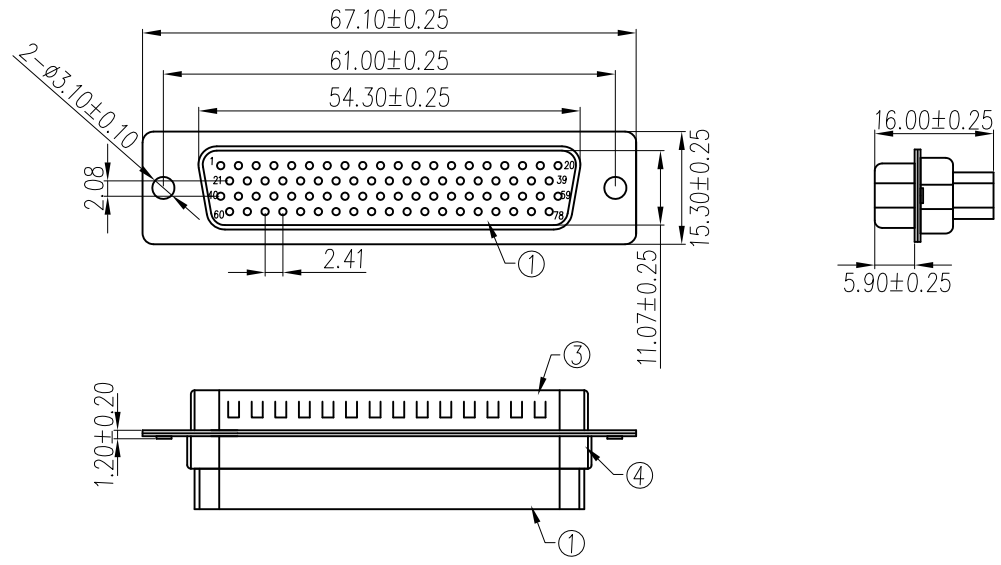
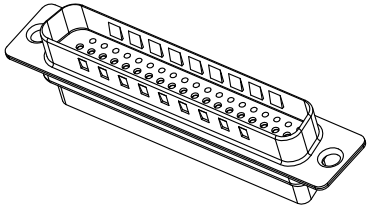
A	前鉗型 (不通孔)	B	后鉗型 (通孔)

7	Clip	62	Stainless steel	T=0.10mm	NO
6	8.0 Nut	2	Brass	H4.75*8.0	80u"min Nickel Plated
5	3B Nut	2	Brass	H4.75*4.75	80u"min Nickel Plated
4	Back-shell	1	Cold Rolled Steel	T=0.40mm	Cu:40u"min. 80u"min Tin Plated
3	Front-shell	1	Cold Rolled Steel	T=0.40mm	Cu:40u"min. 80u"min Nickel Plated
2					
1	Housing	2	P.B.T	UL 94-V0	Black
No.	Part Name	Q'ty	Material	Remarks & Thickness	Finish

PART NO:		MATERIAL:			
MODEL NO:		FINSH:			
UNIT: mm	SIZE: A4	COLOR:		PART NAME:	
TOLERANCE UNSPECIFIED		DR: 段林麗 '06/04/05		D-SUB HDD CRIMP 62PIN(M)	
.x	±0.30	CHK: Kevin '06/04/05		DWG NO:	S/A-123
.xx	±0.20	APP: Kent '06/04/05		SCALE:	1:1
.xxx	±0.10			SHEET:	1 of 1
ANG.	±1'			REV:	AO

ROHS Compliant

REV.	ECN NO	LOCATIONS	DESCRIPTION	DATE	REVISER	APPD



A	前鉗型(不通孔)	B	后鉗型(通孔)

Note:

Specification:

1. Current rating: 1 A Max.
2. Dielectric withstanding voltage: 500 V(ac) for 1 minute.
3. Contact resistance: 30 mΩ Max.
4. Insulation resistance: 1000 MΩ Min at DC 500V.
5. Temperature range: -55°C~+105°C

7	Clip	78	Stainless steel	T=0.10mm	NO
6	8.0 Nut	2	Brass	H4.75*8.0	80u"min Nickel Plated
5	3B Nut	2	Brass	H4.75*4.75	80u"min Nickel Plated
4	Back-shell	1	Cold Rolled Steel	T=0.40mm	Cu: 40u"min. 80u"min Tin Plated
3	Front-shell	1	Cold Rolled Steel	T=0.40mm	Cu: 40u"min. 80u"min Nickel Plated
2					
1	Housing	2	P.B.T	UL 94-V0	Black
No.	Part Name	Q'ty	Material	Remarks & Thickness	Finish

PART NO:		MATERIAL:			
MODEL NO:		FINISH:			
UNIT: mm	SIZE: A4	COLOR:		PART NAME:	
TOLERANCE UNSPECIFIED		DR: 段林麗 '06/04/23		D-SUB HDD CRIMP 78PIN(M)	
.x	±0.30	CHK: Song '06/04/23		DWG NO:	S/A-131
.xx	±0.20	APP: Kent '06/04/23		SCALE:	1:1
.xxx	±0.10			SHEET:	1 of 1
ANG.	±1°			REV:	AO

ROHS Compliant