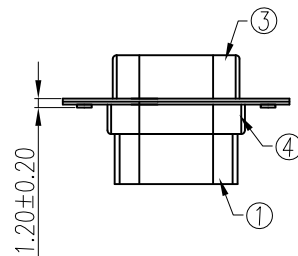
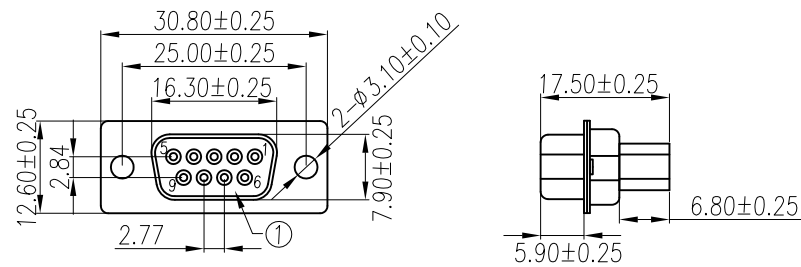


REV.	ECN NO	LOCATIONS	DESCRIPTION	DATE	REVISER	APPD

Note:

Specification:

1. Current rating: 1 A Max.
2. Dielectric withstanding volage: 500 V(ac) for 1 minute.
3. Contact resistance: 30 mΩ Max.
4. Insulation resistance: 1000 MΩ Min at DC 500V.
5. Insertion force: 5.5 Kgf Max.
6. Extraction force: 1.7 Kgf Min.
7. Temperature range: -55°C~+105°C

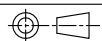


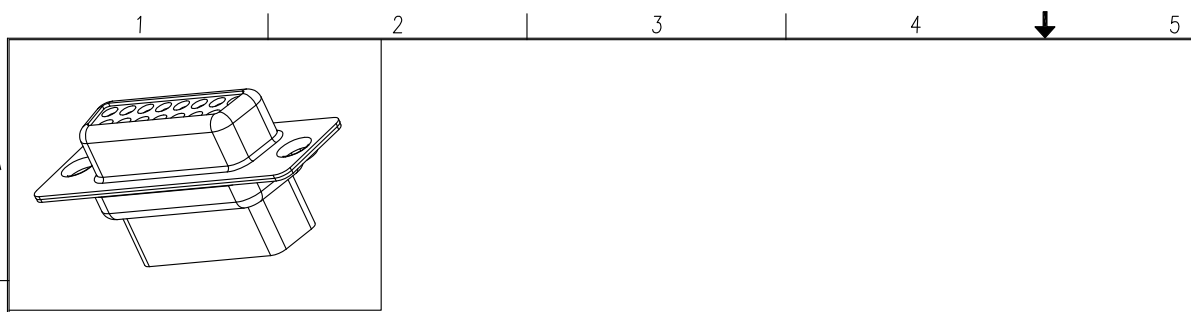
A	前鉚型(不通孔)	B	后鉚型(通孔)

6	8.0 Nut	2	Brass	H4.75*8.0	80u"Min Nickel Plated
5	3B Nut	2	Brass	H4.75*4.75	80u"Min Nickel Plated
4	Back-shell	1	Cold Rolled Steel	T=0.40mm	Cu:40u"min. 80u"Min Tin Plated
3	Front-shell	1	Cold Rolled Steel	T=0.40mm	Cu:40u"min. 80u"Min Nickel Plated
2					
1	Back Housing	1	PA66	UL 94-V0	Black
	Front Housing	1	P.B.T	UL 94-V0	Black
No.	Part Name	Q'ty	Material	Remarks & Thickness	Finish

PART NO:		MATERIAL:			
MODEL NO:		FINSH:			
UNIT: mm	SIZE: A4	COLOR:		PART NAME:	
TOLERANCE UNSPECIFIED		DR: 段林麗 '06/03/10		D-SUB CRIMP 9PIN(F)	
.x ±0.30	.xx ±0.20	CHK: James '06/03/10		DWG NO: S/A-111	REV: A0
.xxx ±0.10	ANG. ±1°	APP: Kent '06/03/10		SCALE: 1:1	SHEET: 1 of 1

ROHS Compliant



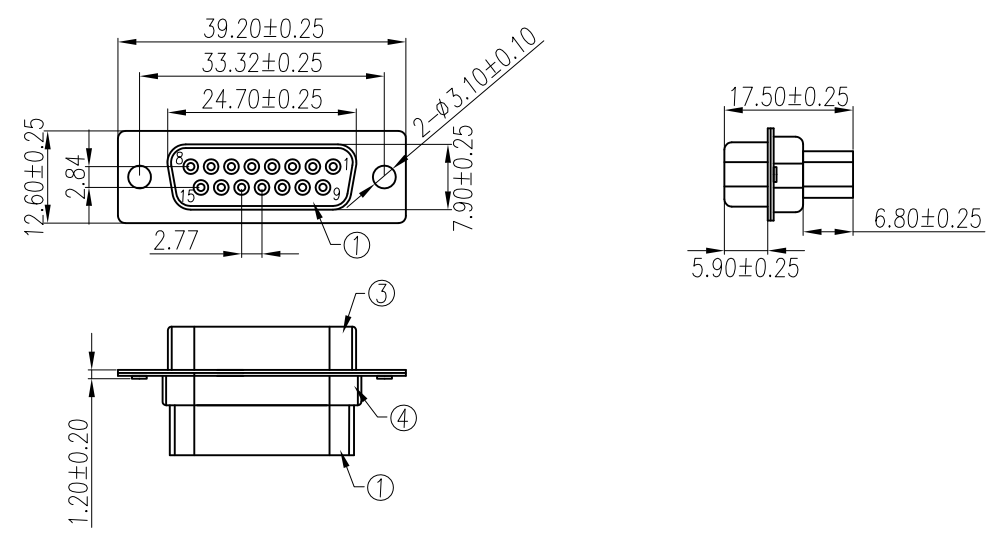


REV.	ECN NO	LOCATIONS	DESCRIPTION	DATE	REVISER	APPD

Note:

Specification:

1. Current rating: 1 A Max.
2. Dielectric withstanding voltage: 500 V(ac) for 1 minute.
3. Contact resistance: 30 mΩ Max.
4. Insulation resistance: 1000 MΩ Min at DC 500V.
5. Insertion force: 6.5 Kgf Max.
6. Extraction force: 1.9 Kgf Min.
7. Temperature range: -55°C~+105°C

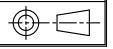


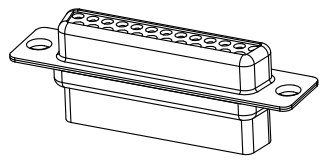
A	前鉗型(不通孔)	B	后鉗型(通孔)

6	8.0 Nut	2	Brass	H4.75*8.0	80u"Min Nickel Plated
5	3B Nut	2	Brass	H4.75*4.75	80u"Min Nickel Plated
4	Back-shell	1	Cold Rolled Steel	T=0.40mm	Cu:40u"min. 80u"Min Tin Plated
3	Front-shell	1	Cold Rolled Steel	T=0.40mm	Cu:40u"min. 80u"Min Nickel Plated
2					
1	Back Housing	1	PA66	UL 94-V0	Black
	Front Housing	1	P.B.T	UL 94-V0	Black
No.	Part Name	Q'ty	Material	Remarks & Thickness	Finish

PART NO:		MATERIAL:			
MODEL NO:		FINSH:			
UNIT: mm	SIZE: A4	COLOR:		PART NAME:	
TOLERANCE UNSPECIFIED		DR: 段林麗 '06/04/01		D-SUB CRIMP 15PIN(F)	
.x ±0.30	.xx ±0.20	CHK: Song '06/04/01		DWG NO: S/A-112	REV: A0
.xxx ±0.10	ANG. ±1°	APP: Kent '06/04/01		SCALE: 1:1	SHEET: 1 of 1

ROHS Compliant



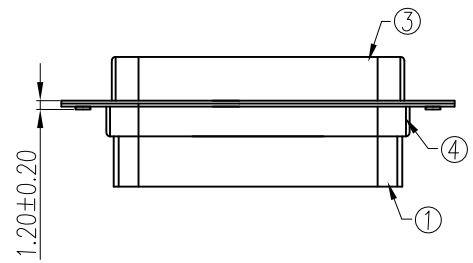
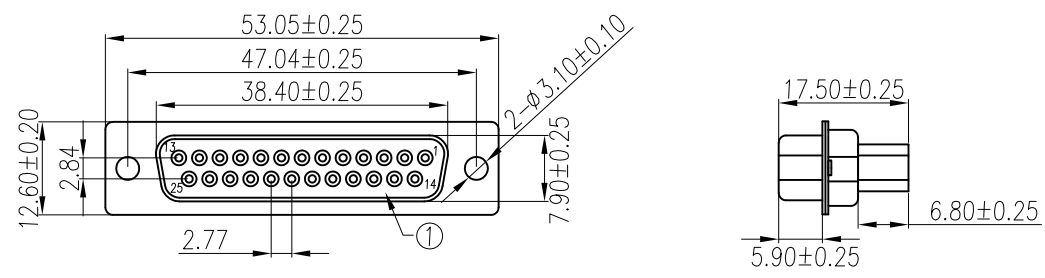


REV.	ECN NO	LOCATIONS	DESCRIPTION	DATE	REVISER	APPD

Note:

Specification:

1. Current rating: 1 A Max.
2. Dielectric withstanding voltage: 500 V(ac) for 1 minute.
3. Contact resistance: 30 mΩ Max.
4. Insulation resistance: 1000 MΩ Min at DC 500V.
5. Insertion force: 7.5 Kgf Max.
6. Extraction force: 2.7 Kgf Min.
7. Temperature range: -55°C~+105°C



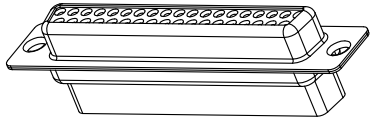
A	前鉚型 (不通孔)	B	后鉚型 (通孔)

6	8.0 Nut	2	Brass	H4.75*8.0	80u"Min Nickel Plated
5	3B Nut	2	Brass	H4.75*4.75	80u"Min Nickel Plated
4	Back-shell	1	Cold Rolled Steel	T=0.40mm	Cu:40u"min. 80u"Min Tin Plated
3	Front-shell	1	Cold Rolled Steel	T=0.40mm	Cu:40u"min. 80u"Min Nickel Plated
2					
1	Back Housing	1	PA66	UL 94-V0	Black
	Front Housing	1	P.B.T	UL 94-V0	Black
No.	Part Name	Q'ty	Material	Remarks & Thickness	Finish

PART NO:		MATERIAL:			
MODEL NO:		FINSH:			
UNIT: mm	SIZE: A4	COLOR:		PART NAME:	
TOLERANCE UNSPECIFIED		DR: 段林麗 '06/04/01		D-SUB CRIMP 25PIN(F)	
.x	±0.30	CHK: Song '06/04/01		DWG NO: S/A-113	
.xx	±0.20	APP: Kent '06/04/01		REV: A0	
.xxx	±0.10			SCALE: 1:1	
ANG.	±1°			SHEET: 1 of 1	

ROHS Compliant

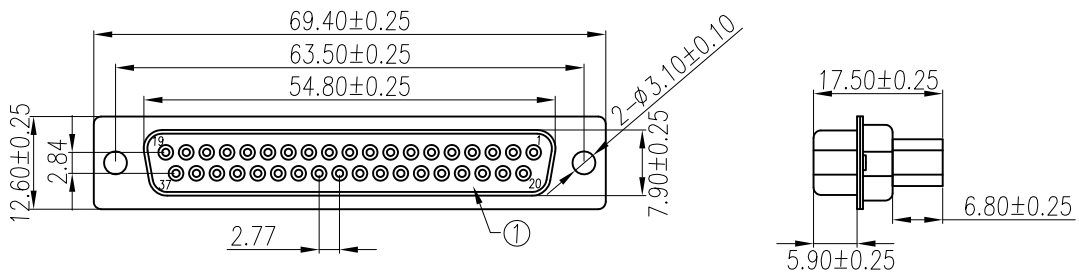
1	2	3	4	5	6	7	8
REV.	ECN NO	LOCATIONS	DESCRIPTION	DATE	REVISER	APPD	



Note:

Specification:

1. Current rating: 1 A Max.
2. Dielectric withstanding voltage: 500 V(ac) for 1 minute.
3. Contact resistance: 30 mΩ Max.
4. Insulation resistance: 1000 MΩ Min at DC 500V.
5. Insertion force: 9.0 Kgf Max.
6. Extraction force: 3.2 Kgf Min.
7. Temperature range: -55°C~+105°C

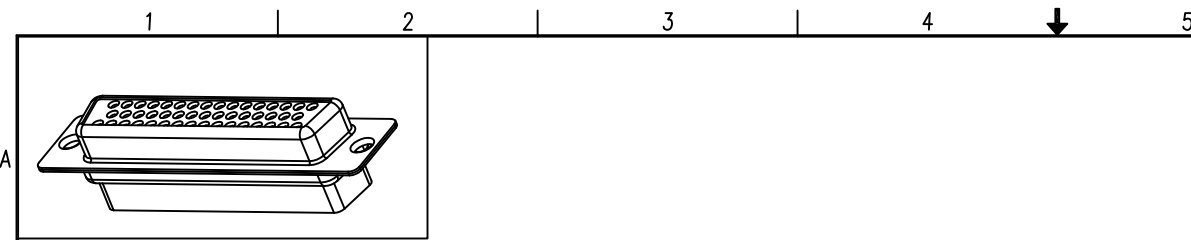


A	前鉚型 (不通孔)	B	后鉚型 (通孔)

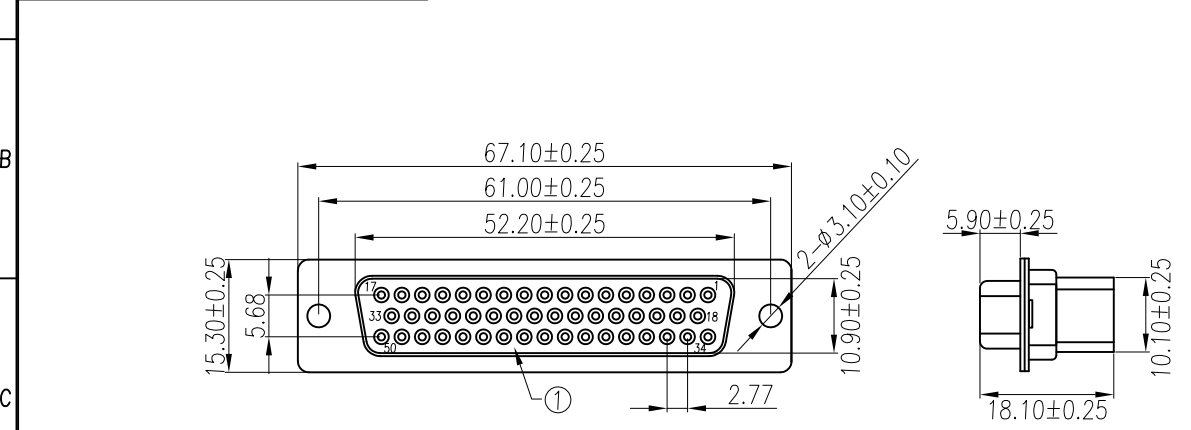
6	8.0 Nut	2	Brass	H4.75*8.0	80~120u"Nickel Plated
5	3B Nut	2	Brass	H4.75*4.75	80~120u"Nickel Plated
4	Back-shell	1	Cold Rolled Steel	T=0.40mm	Cu:40u"min. 80~120u"Tin Plated
3	Front-shell	1	Cold Rolled Steel	T=0.40mm	Cu:40u"min. 80~120u"Nickel Plated
2					
1	Back Housing	1	PA66	UL 94-V0	Black
	Front Housing	1	P.B.T	UL 94-V0	Black
No.	Part Name	Q'ty	Material	Remarks & Thickness	Finish

PART NO:		MATERIAL:			
MODEL NO:		FINSH:			
UNIT: mm	SIZE: A4	COLOR:		PART NAME:	
TOLERANCE UNSPECIFIED		DR: 段林麗 '06/04/20		D-SUB CRIMP 37PIN(F)	
.x ±0.30	.xx ±0.20	CHK: Song '06/04/20		DWG NO: S/A-114	REV: AO
.xxx ±0.10	ANG. ±1°	APP: Kent '06/04/20		SCALE: 1:1	SHEET: 1 of 1

ROHS Compliant



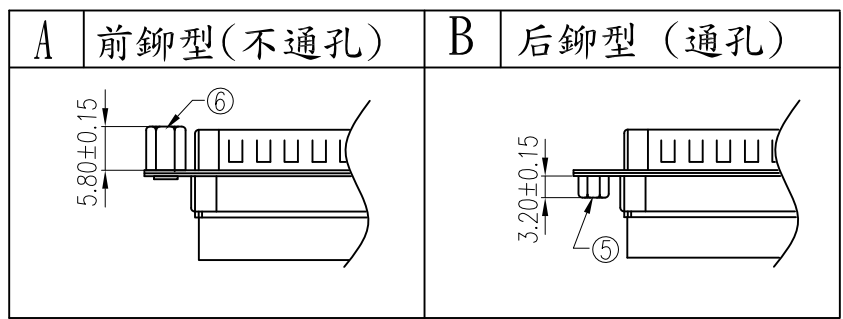
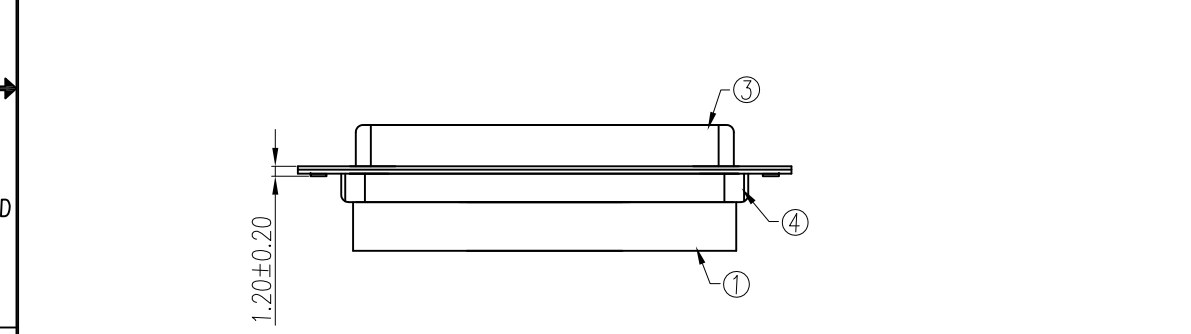
REV.	ECN NO	LOCATIONS	DESCRIPTION	DATE	REVISER	APPD



Note:

Specification:

1. Current rating: 1 A Max.
2. Dielectric withstanding voltage: 500 V(ac) for 1 minute.
3. Contact resistance: 30 mΩ Max.
4. Insulation resistance: 1000 MΩ Min at DC 500V.
5. Insertion force: 9.0 Kgf Max.
6. Extraction force: 5.0 Kgf Min.
7. Temperature range: -55°C~+105°C



6	8.0 Nut	2	Brass	H4.75*8.0	80u"min Nickel Plated
5	3B Nut	2	Brass	H4.75*4.75	80u"min Nickel Plated
4	Back-shell	1	Cold Rolled Steel	T=0.40mm	Cu:40u"min. 80u"min Tin Plated
3	Front-shell	1	Cold Rolled Steel	T=0.40mm	Cu:40u"min. 80u"min Nickel Plated
2					
1	Back Housing	1	PA66	UL 94-V0	Black
	Front Housing	1	P.B.T	UL 94-V0	Black
No.	Part Name	Q'ty	Material	Remarks & Thickness	Finish

PART NO:		MATERIAL:			
MODEL NO:		FINISH:			
UNIT: mm	SIZE: A4	COLOR:		PART NAME:	
TOLERANCE UNSPECIFIED		DR: 段林麗 '06/04/05		D-SUB CRIMP 50PIN(F)	
.x	±0.30	CHK: Song '06/04/05		DWG NO: S/A-115	REV: A0
.xx	±0.20	APP: Kent '06/04/05		SCALE: 1:1	SHEET: 1 of 1
.xxx	±0.10				
ANG.	±1°				

ROHS Compliant

