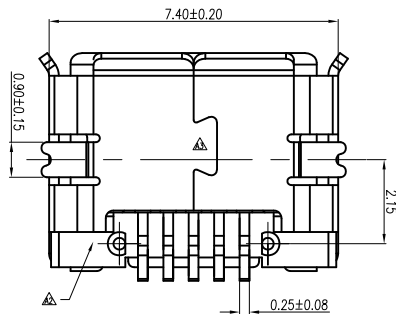
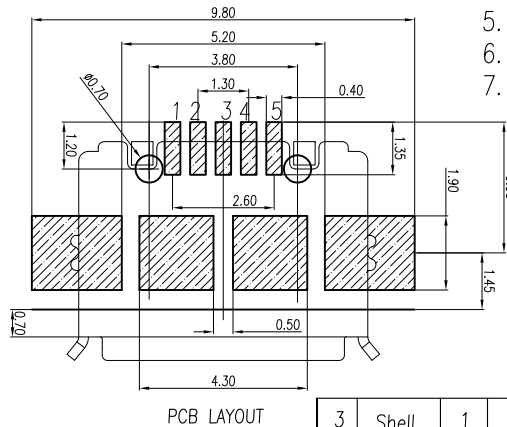
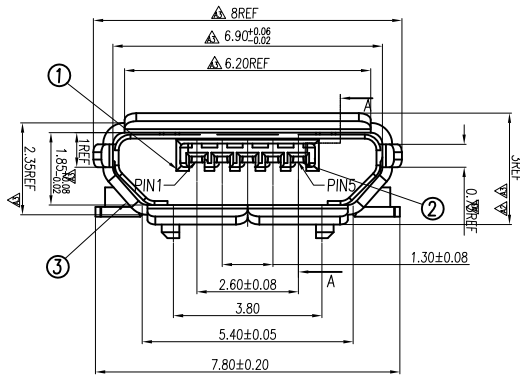
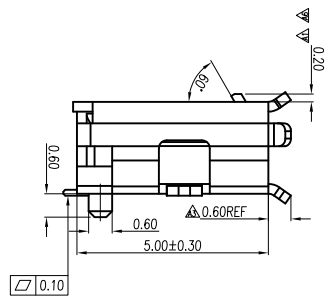
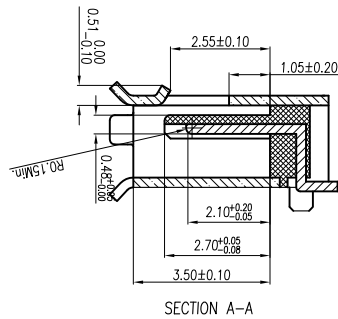
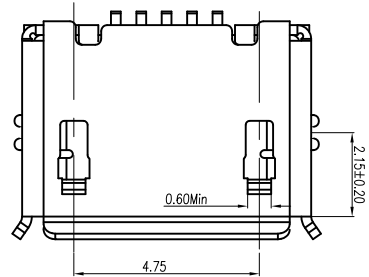


A
B
C
D
E
F

1 2 3 4 5 6 7 8



REV.	ECN NO	LOCATIONS	DESCRIPTION	DATE	REVISER	APPD
A1			0.26 ^{+0.00} _{-0.10} — 0.20 ^{+0.08} _{-0.00}	2009.07.08	黃義強	Kent
A2			3.05±0.10 — 2.95±0.20	2012.03.05	趙承寶	Kent
A3			依協會修改尺寸管控	2012.05.09	劉志希	Kent
A4			改善膠芯成型結構變更	2012.05.09	劉志希	Kent
A5			修改外殼下料	2012.05.09	劉志希	Kent
A6			0.20 ^{+0.08} _{-0.00} — 0.20	2012.05.09	劉志希	Kent

Note:

Specification:

1. Current rating: 1 A Max.
2. Dielectric withstanding voltage: 30V(ac) for 1 minute.
3. Contact resistance: 30 mΩ Max.
4. Insulation resistance: 1000 MΩ Min at DC 500V.
5. Insertion force: 35 Newtons Max.
6. Extraction force: 10 Newtons Min.
7. Temperature range: -30°C~+80°C

3	Shell	1	SUS	T=0.25mm	Nickel Plated
2	Contact	5	Brass	T=0.15mm	Contact area:30u"Gold Plated over 40u"Nickel min. ALL Gold Plated
1	Housing	1	LCP	UL 94-V0	Black
No.	Name	Q'ty	Material	Remarks & Thickness	Finish

PRAT NO:		MATERIAL:			
MODEL NO:		FINSH:			
UNIT: mm	SAZE: A4	COLOR:		PART NAME:	
TOLERANCE UNSPECIFIED		DR: 黃義強 '09/07/08		MICRO USB-5PIN(F)SMT B TYPE	
.X ±0.30	.XX ±0.20	CHK: James '09/07/08		DWG NO: OD-S/A-573	REV: A6
.XXX ±0.10	ANG ±1	APP: Kent '09/07/08		SCALE: 1:1	SHEET: 1 of 1

ROHS Compliant

1 2 3 4 5 6 7 8