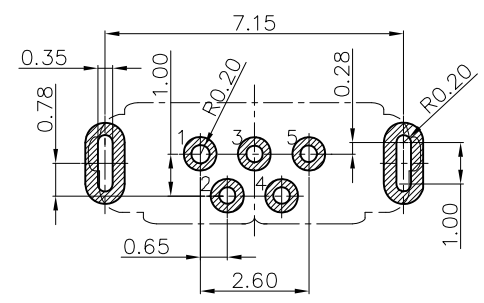
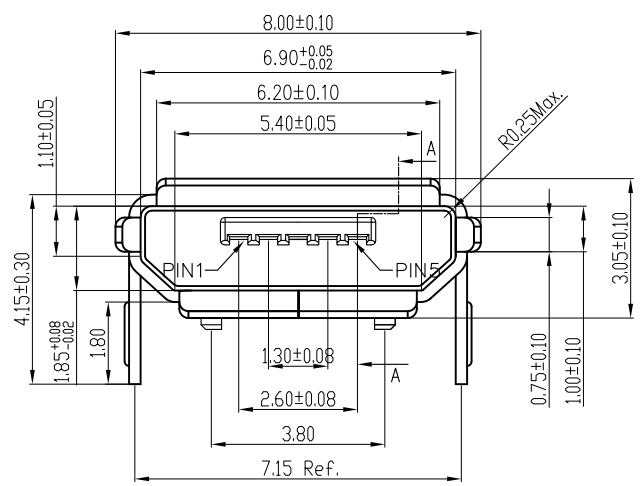
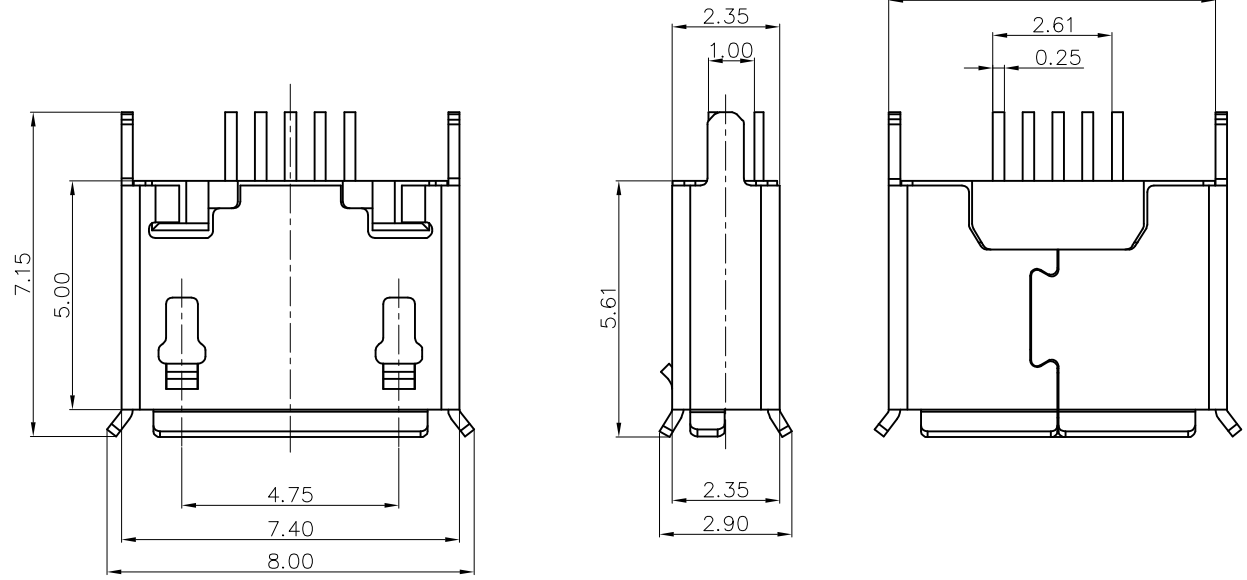


REV.	ECN NO	LOCATIONS	DESCRIPTION	DATE	REVISER	APPD

Note:

Specification:

1. Current rating: 1 A Max.
2. Dielectric withstanding voltage: 30V(ac) for 1 minute.
3. Contact resistance: 30 mΩ Max.
4. Insulation resistance: 1000 MΩ Min at DC 500V.
5. Insertion force: 35 Newtons Max.
6. Extraction force: 10 Newtons Min.
7. Temperature range: -30°C~+80°C



PCB LAYOUT

3	Shell	1	SUS304	T=0.25mm	Nickel Plated
2	Contact	5	copper alloy	T=0.20mm	Contact area:0.8u"~30U"Gold Plated over 40u"Nickel min. ALL Gold Plated
1	Housing	1	LCP	UL 94-V0	Black
No.	Name	Q'ty	Material	Remarks & Thickness	Finish

PRAT NO:	MATERIAL:				
MODEL NO:	FINSH:				
UNIT: mm	SAZE: A4	COLOR:	PART NAME: MICRO USB-5PIN(F) B TYPE 180°DIP		
TOLERANCE UNSPECIFIED		DR: 劉志希 '14/09/03	DWG NO: S/A-701-1		
.X	±0.30	CHK: JACK '14/09/03	SCALE: 1:1		REV. A0
.XX	±0.20		APP: Kent '14/09/03	SHEET: 1 of 1	
.XXX	±0.10				
ANG	±1°				

ROHS Compliant