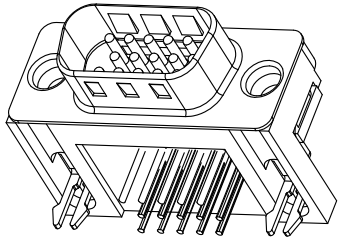


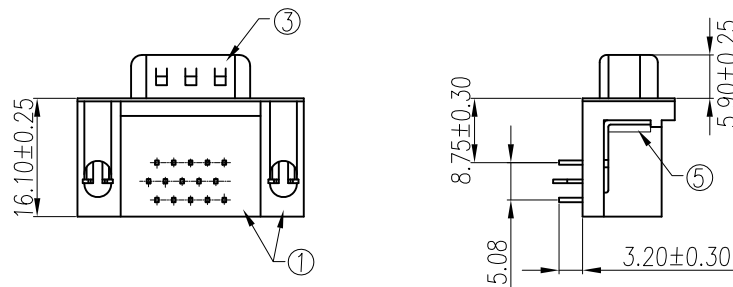
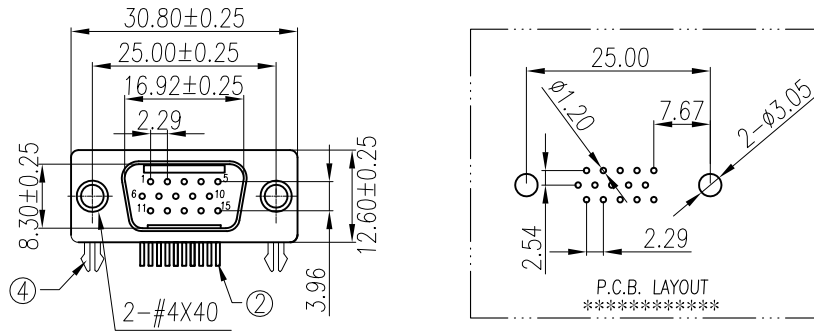
REV.	ECN NO	LOCATIONS	DESCRIPTION	DATE	REVISER	APPD



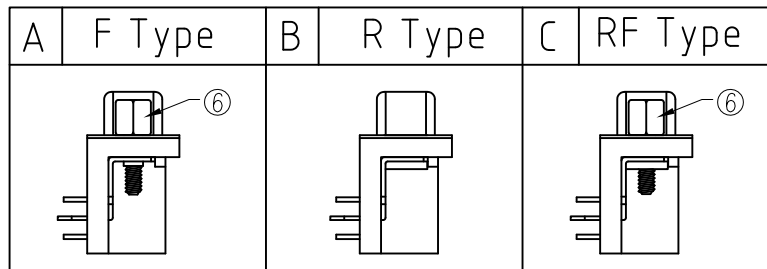
Note:

Specification:

1. Current rating: 1 A Max.
2. Dielectric withstanding voltage: 500 V(ac) for 1 minute.
3. Contact resistance: 30 mΩ Max.
4. Insulation resistance: 1000 MΩ Min at DC 500V.
5. Temperature range: -55°C~+105°C

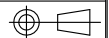


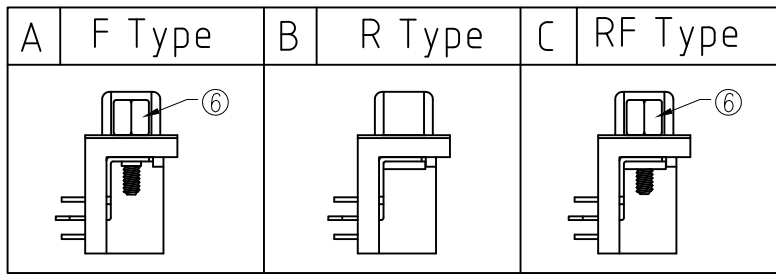
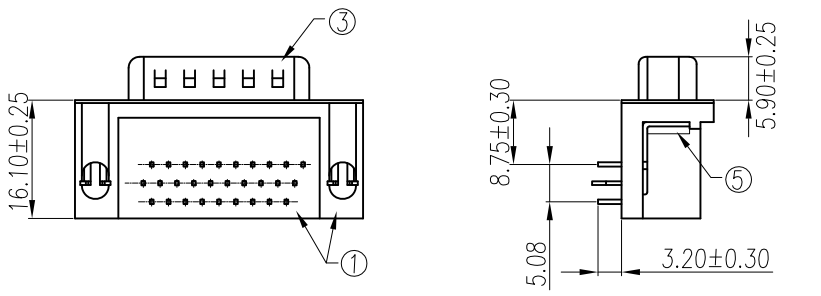
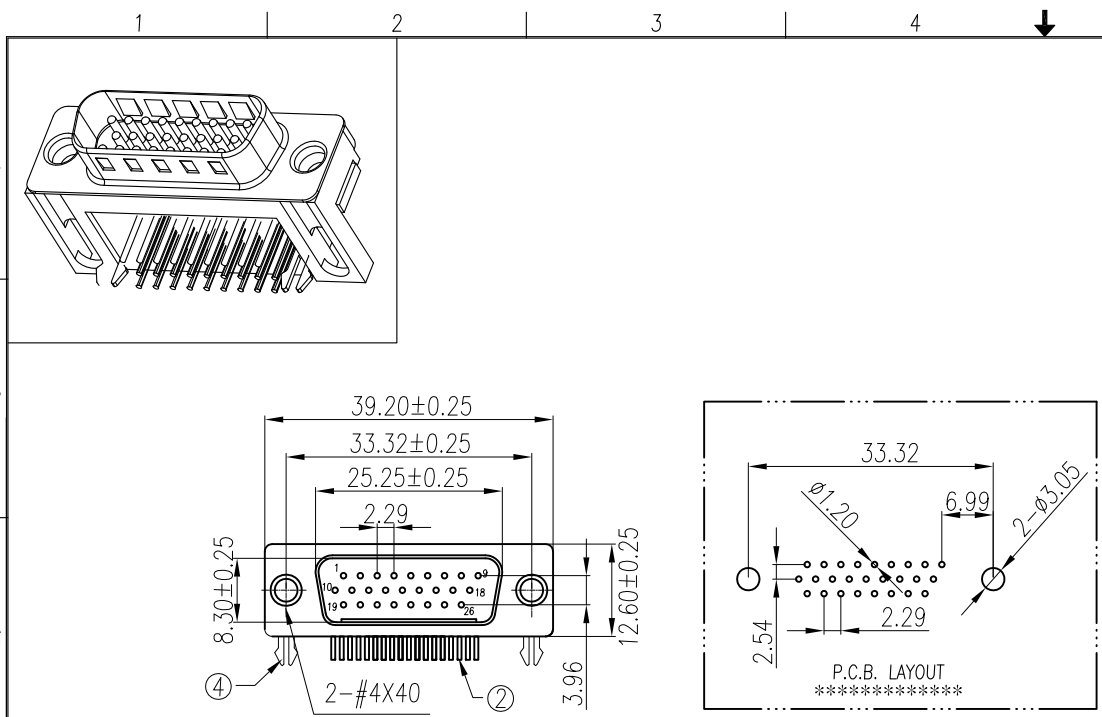
No.	Name	Q'ty	Material	Remarks & Thickness	Finish
6	Screw	2	Brass	4.75*11.80mm	80u"min Nickel/Tin Plated
5	Rivated	2	Brass	5.4*5.1mm	80u"min Nickel Plated
4	"Z" type board-lock	2	Brass	T=0.50mm	80u"min Tin Plated
3	Front-shell	1	Cold rolled steel	T=0.40mm	80u"min Nickel/Tin Plated
2	Contact	15	Brass	T=0.20mm	Contact area:0.8u"min Gold Plated over 40u"Nickel min. Solder area:80u"min Tin Plated over 40u"Nickel min. (All Gold)
1	Housing	2	P.B.T	UL 94-V0	Black



PART NO:		MATERIAL:		<b>HSI-CHIN</b> ELECTRONICS CO.,LTD	
MODEL NO:		FINSH:			
UNIT: mm	SIZE: A4	COLOR:		PART NAME:	
TOLERANCE UNSPECIFIED		DR: 寇永蓮 '12/04/28		HDD RIGHT ANGLE P.C.B TYPE 15PIN(M)	
.x ±0.30	.xx ±0.20	CHK: James '12/04/28		DWG NO: S/A-161	REV: A0
.xxx ±0.10	ANG. ±1°	APP: Kent '12/04/28		SCALE: 1:1	SHEET: 1 of 1

ROHS Compliant





ROHS Compliant

REV.	ECN NO	LOCATIONS	DESCRIPTION	DATE	REVISER	APPD

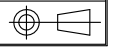
Note:

Specification:

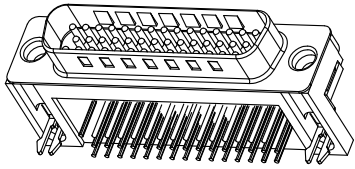
1. Current rating: 1 A Max.
2. Dielectric withstanding voltage: 500 V(ac) for 1 minute.
3. Contact resistance: 30 mΩ Max.
4. Insulation resistance: 1000 MΩ Min at DC 500V.
5. Temperature range: -55°C~+105°C

6	Screw	2	Brass	4.75*11.80mm	80u"min Nickel/Tin Plated
5	Rivated	2	Brass	5.4*5.1mm	80u"min Nickel Plated
4	"Z" type board-lock	2	Brass	T=0.50mm	80u"min Tin Plated
3	Front-shell	1	Cold rolled steel	T=0.40mm	80u"min Nickel/Tin Plated
2	Contact	26	Brass	T=0.20mm	Contact area:0.8u"min Gold Plated over 40u"Nickel min. Solder area:80u"min Tin Plated over 40u"Nickel min. (All Gold)
1	Housing	2	P.B.T	UL 94-V0	Black
No.	Name	Q'ty	Material	Remarks & Thickness	Finish

PART NO:		MATERIAL:			
MODEL NO:		FINSH:			
UNIT: mm	SIZE: A4	COLOR:		PART NAME:	
TOLERANCE UNSPECIFIED		DR: 寇永蓮 '12/04/28		HDD RIGHT ANGLE P.C.B TYPE 26PIN(M)	
.x	±0.30	CHK: James '12/04/28		DWG NO:	S/A-162
.xx	±0.20	APP: Kent '12/04/28		SCALE:	1:1
.xxx	±0.10			SHEET:	1 of 1
ANG.	±1°			REV:	A0



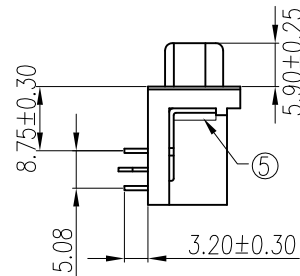
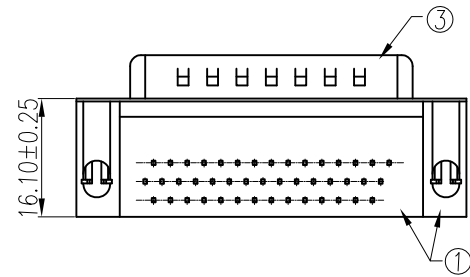
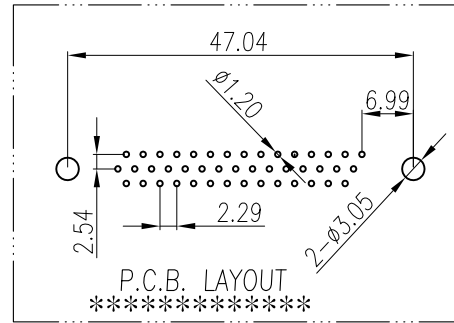
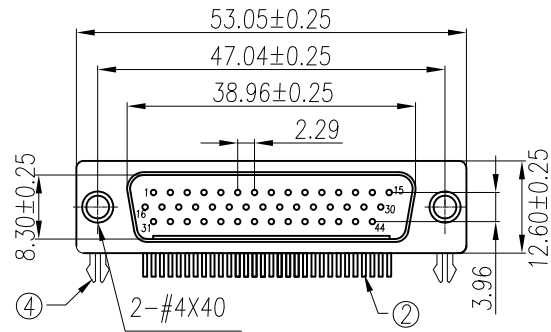
REV.	ECN NO	LOCATIONS	DESCRIPTION	DATE	REVISER	APPD



Note:

Specification:

1. Current rating: 1 A Max.
2. Dielectric withstanding voltage: 500 V(ac) for 1 minute.
3. Contact resistance: 30 mΩ Max.
4. Insulation resistance: 1000 MΩ Min at DC 500V.
5. Temperature range: -55°C~+105°C



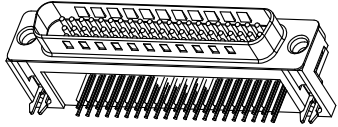
6	Screw	2	Brass	4.75*11.80mm	80u"min Nickel/Tin Plated
5	Riveted	2	Brass	5.4*5.1mm	80u"min Nickel Plated
4	"Z" type board-lock	2	Brass	T=0.50mm	80u"min Tin Plated
3	Front-shell	1	Cold rolled steel	T=0.40mm	80u"min Nickel/Tin Plated
2	Contact	44	Brass	T=0.20mm	Contact area:0.8u"min Gold Plated over 40u"Nickel min. Solder area:80u"min Tin Plated over 40u"Nickel min. (All Gold)
1	Housing	2	P.B.T	UL 94-V0	Black
No.	Name	Q'ty	Material	Remarks & Thickness	Finish

A	F Type	B	R Type	C	RF Type

ROHS Compliant

PART NO:		MATERIAL:			
MODEL NO:		FINSH:			
UNIT: mm	SIZE: A4	COLOR:		PART NAME:	
TOLERANCE UNSPECIFIED		DR: 寇永蓮 '12/04/28		HDD RIGHT ANGLE P.C.B TYPE 44PIN(M)	
.x	±0.30	CHK: James '12/04/28		DWG NO:	S/A-163
.xx	±0.20	APP: Kent '12/04/28		SCALE:	1:1
.xxx	±0.10			SHEET:	1 of 1
ANG.	±1°			REV:	A0

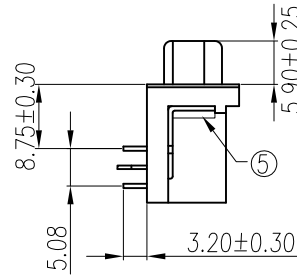
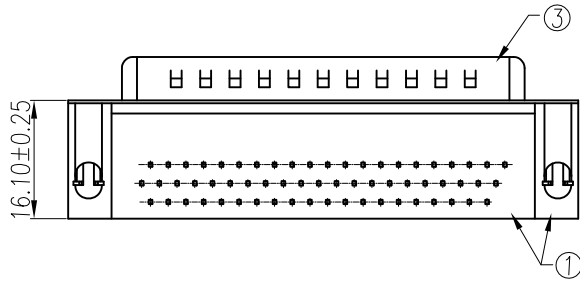
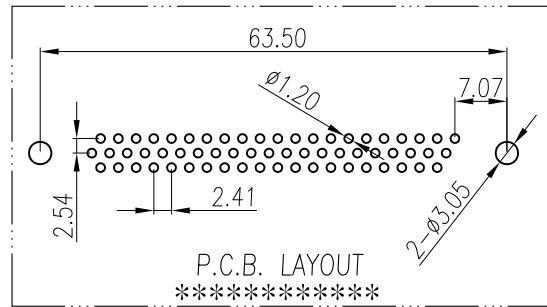
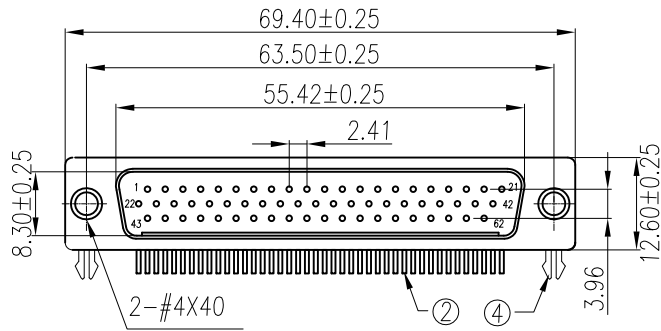
REV.	ECN NO	LOCATIONS	DESCRIPTION	DATE	REVISER	APPD



Note:

Specification:

1. Current rating: 1 A Max.
2. Dielectric withstanding voltage: 500 V(ac) for 1 minute.
3. Contact resistance: 30 mΩ Max.
4. Insulation resistance: 1000 MΩ Min at DC 500V.
5. Temperature range: -55°C~+105°C



6	Screw	2	Brass	4.75*11.80mm	80u"min Nickel/Tin Plated
5	Rivated	2	Brass	5.4*5.1mm	80u"min Nickel Plated
4	"Z" type board-lock	2	Brass	T=0.50mm	80u"min Tin Plated
3	Front-shell	1	Cold rolled steel	T=0.40mm	80u"min Nickel/Tin Plated
2	Contact	62	Brass	T=0.20mm	Contact area:0.8u"min Gold Plated over 40u"Nickel min. Solder area:80u"min Tin Plated over 40u"Nickel min. (All Gold)
1	Housing	2	P.B.T	UL 94-V0	Black
No.	Name	Q'ty	Material	Remarks & Thickness	Finish

A	F Type	B	R Type	C	RF Type

ROHS Compliant

PART NO:		MATERIAL:			
MODEL NO:		FINSH:			
UNIT: mm	SIZE: A4	COLOR:		PART NAME:	
TOLERANCE UNSPECIFIED		DR: 寇永蓮 '12/04/28		HDD RIGHT ANGLE P.C.B TYPE 62PIN(M)	
.x ±0.30	.xx ±0.20	CHK: James '12/04/28		DWG NO: S/A-164	REV: A0
.xxx ±0.10	ANG. ±1°	APP: Kent '12/04/28		SCALE: 1:1	SHEET: 1 of 1