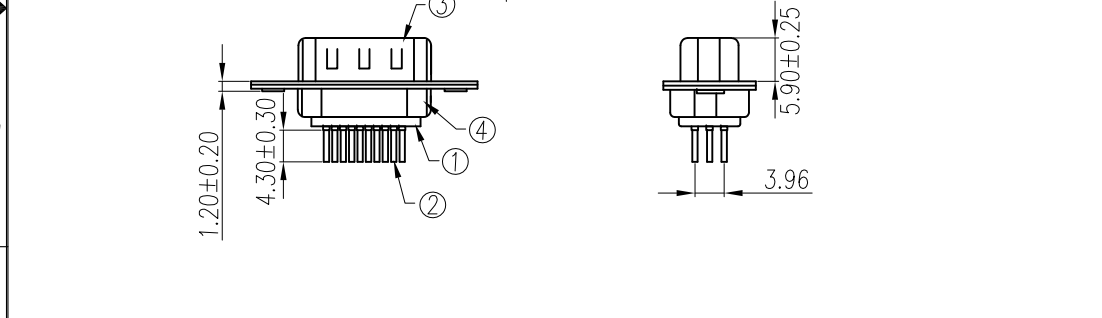
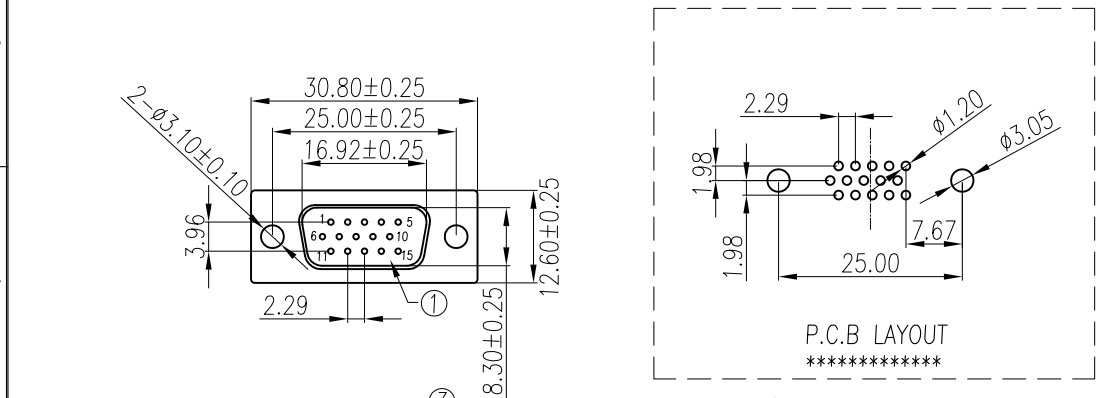


REV.	ECN NO	LOCATIONS	DESCRIPTION	DATE	REVISER	APPD

Note:

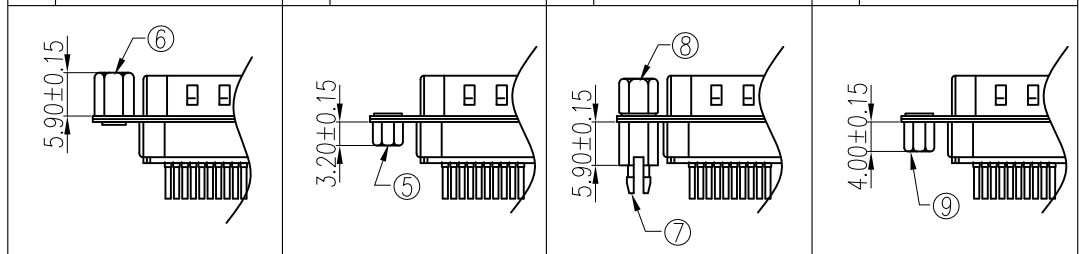
Specification:

1. Current rating: 1 A Max.
2. Dielectric withstanding voltage: 500 V(ac) for 1 minute.
3. Contact resistance: 30 mW Max.
4. Insulation resistance: 1000 MW Min at DC 500V.
5. Mating force: 5.5 Kgf Max.
6. Unmating force: 1.5 Kgf Min.
7. Temperature range: -55°C~+105°C



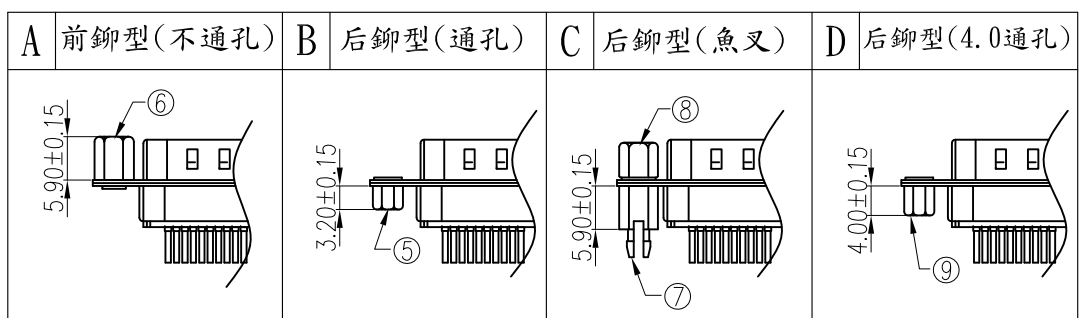
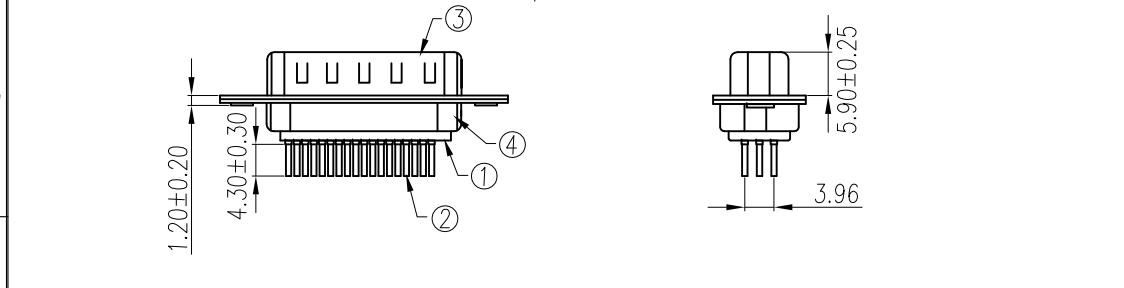
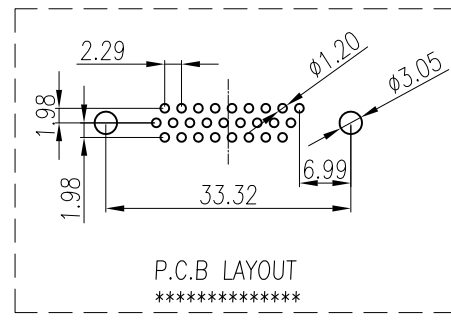
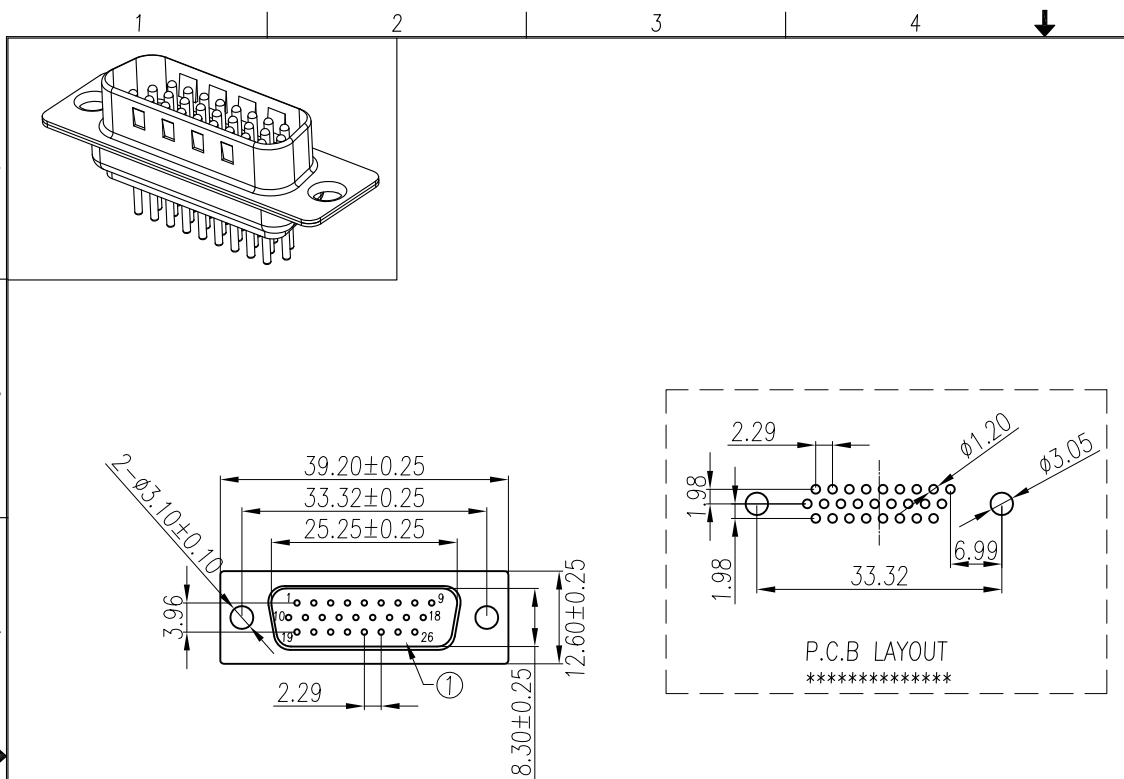
9	4.0 Nut	2	Brass	H4.75*5.5	80u"min Nickel Plated
8	Hex Screw	2	Brass	H5*10	80u"min. Nickel Plated
7	Boardlock NUT	2	Brass	H4.75*11.5	80u"min. Tin Plated
6	8.0 Nut	2	Brass	H4.75*8.0	80u"min. Nickel Plated
5	3B Nut	2	Brass	H4.75*4.75	80u"min. Nickel Plated
4	Back-shell	1	Cold Rolled Steel	T=0.40mm	80u"min. Tin/Nickel Plated
3	Front-shell	1	Cold Rolled Steel	T=0.40mm	80u"min. Nickel/Tin Plated
2	Contact	15	Brass	T=0.20mm	Contact area:0.8~30u"Gold Plated over 40u"Nickel min. Solder area:80u"min. Tin Plated over 40u"Nickel min.
1	Housing	2	P.B.T	UL 94-V0	Black/Blue/White
No.	Part Name	Q'ty	Material	Remarks & Thickness	Finish

A 前鉚型(不通孔) B 后鉚型(通孔) C 后鉚型(魚叉) D 后鉚型(4.0通孔)



ROHS Compliant

PART NO:		MATERIAL:			
MODEL NO:		FINSH:			
UNIT: mm	SIZE: A4	COLOR:		PART NAME:	
TOLERANCE UNSPECIFIED		DR: 李霞 '06/04/21		D-SUB HDIP 15PIN(M)	
.x ±0.30	.xx ±0.20	CHK: Kevin '06/04/21		DWG NO: S/A-225	REV: A0
.xxx ±0.10	ANG. ±1°	APP: Kent '06/04/21		SCALE: 1:1	SHEET: 1 of 1



ROHS Compliant

REV.	ECN NO	LOCATIONS	DESCRIPTION	DATE	REVISER	APPD

Note:

Specification:

1. Current rating: 1 A Max.
2. Dielectric withstanding voltage: 500 V(ac) for 1 minute.
3. Contact resistance: 30 mΩ Max.
4. Insulation resistance: 1000 MΩ Min at DC 500V.
5. Mating force: 7.5 Kgf Max.
6. Unmating force: 1.7 Kgf Min.
7. Temperature range: -55°C~+105°C

9	4.0 Nut	2	Brass	H4.75*5.5	80u"min Nickel Plated
8	Hex Screw	2	Brass	H5*10	80u"min. Nickel Plated
7	Boardlock NUT	2	Brass	H4.75*11.5	80u"min. Tin Plated
6	8.0 Nut	2	Brass	H4.75*8.0	80u"min. Nickel Plated
5	3B Nut	2	Brass	H4.75*4.75	80u"min. Nickel Plated
4	Back-shell	1	Cold Rolled Steel	T=0.40mm	80u"min. Tin/Nickel Plated
3	Front-shell	1	Cold Rolled Steel	T=0.40mm	80u"min. Nickel/Tin Plated
2	Contact	26	Brass	T=0.20mm	Contact area:0.8~30u"Gold Plated over 40u"Nickel min. Solder area:80u"min. Tin Plated over 40u"Nickel min.
1	Housing	2	P.B.T	UL 94-V0	Black/Blue/White
No.	Part Name	Q'ty	Material	Remarks & Thickness	Finish

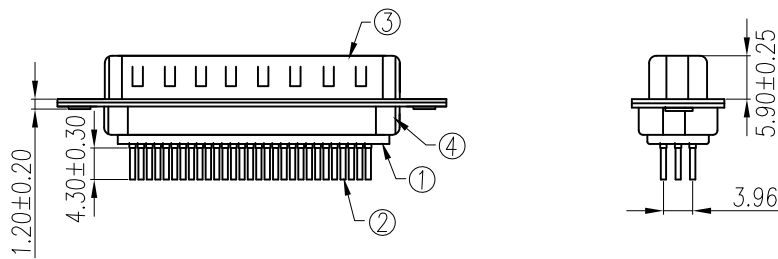
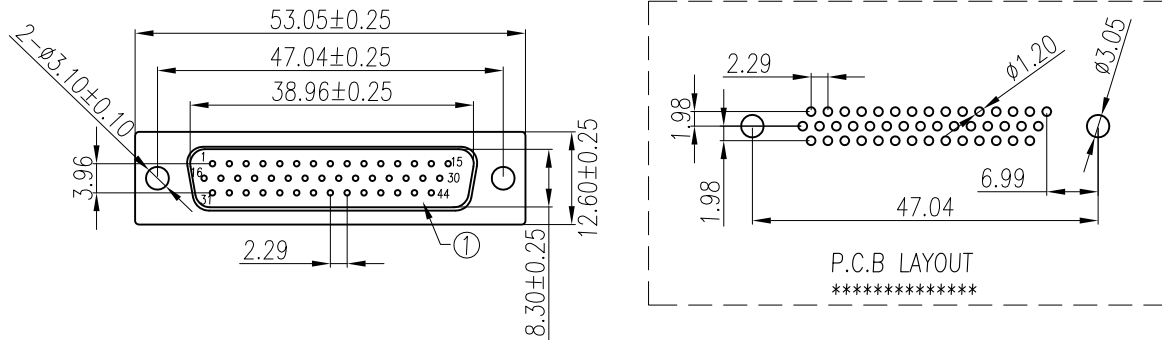
PART NO:		MATERIAL:			
MODEL NO:		FINISH:			
UNIT: mm	SIZE: A4	COLOR:		PART NAME:	
TOLERANCE UNSPECIFIED		DR: 李霞 '06/04/21		D-SUB HDIP 26PIN(M)	
.x ±0.30	.xx ±0.20	CHK: Kevin '06/04/21		DWG NO:	S/A-226
.xxx ±0.10	ANG. ±1°	APP: Kent '06/04/21		SCALE: 1:1	SHEET: 1 of 1
				REV: A1	

REV.	ECN NO	LOCATIONS	DESCRIPTION	DATE	REVISER	APPD

Note:

Specification:

1. Current rating: 1 A Max.
2. Dielectric withstanding voltage: 500 V(ac) for 1 minute.
3. Contact resistance: 30 mW Max.
4. Insulation resistance: 1000 MW Min at DC 500V.
5. Mating force: 9.0 Kgf Max.
6. Unmating force: 2.5 Kgf Min.
7. Temperature range: -55°C~+105°C



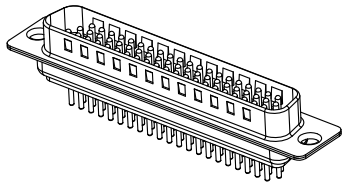
A	前鉗型(不通孔)	B	后鉗型(通孔)	C	后鉗型(魚叉)	D	后鉗型(4.0通孔)

9	4.0 Nut	2	Brass	H4.75*5.5	80u"min Nickel Plated
8	Hex Screw	2	Brass	H5*10	80u"min. Nickel Plated
7	Boardlock NUT	2	Brass	H4.75*11.5	80u"min. Tin Plated
6	8.0 Nut	2	Brass	H4.75*8.0	80u"min. Nickel Plated
5	3B Nut	2	Brass	H4.75*4.75	80u"min. Nickel Plated
4	Back-shell	1	Cold Rolled Steel	T=0.40mm	80u"min. Tin/Nickel Plated
3	Front-shell	1	Cold Rolled Steel	T=0.40mm	80u"min. Nickel/Tin Plated
2	Contact	44	Brass	T=0.20mm	Contact area:0.8~30u"Gold Plated over 40u"Nickel min. Solder area:80u"min. Tin Plated over 40u"Nickel min.
1	Housing	2	P.B.T	UL 94-V0	Black/Blue/White
No.	Part Name	Q'ty	Material	Remarks & Thickness	Finish

PART NO:		MATERIAL:			
MODEL NO:		FINSH:			
UNIT: mm	SIZE: A4	COLOR:		PART NAME:	
TOLERANCE UNSPECIFIED		DR: 李霞 '06/04/21		D-SUB HDIP 44PIN(M)	
.x ±0.30	.xx ±0.20	CHK: Kevin '06/04/21		DWG NO: S/A-227	REV: A0
.xxx ±0.10	ANG. ±1°	APP: Kent '06/04/21		SCALE: 1:1	SHEET: 1 of 1

ROHS Compliant

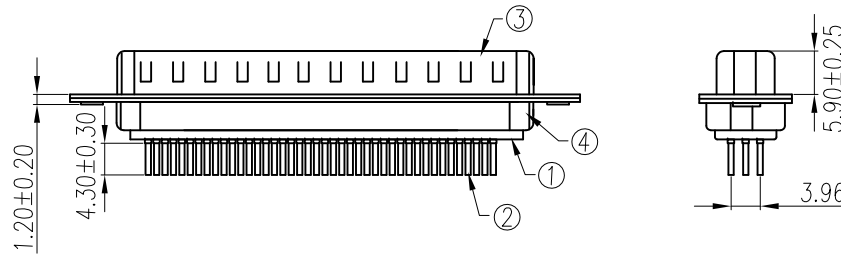
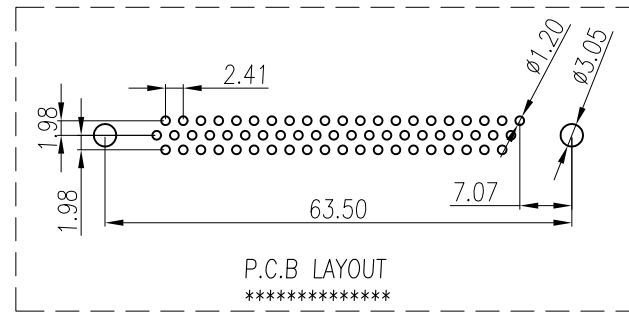
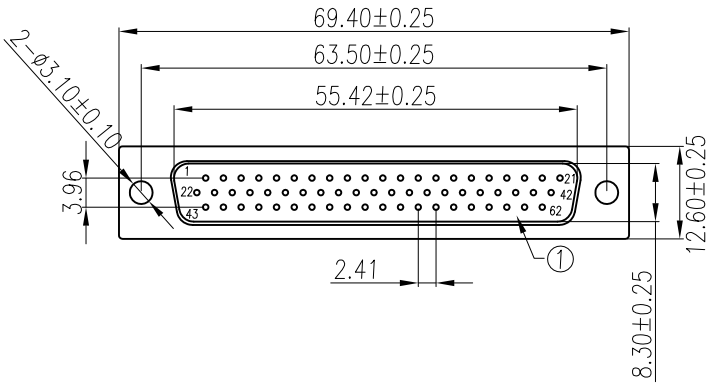
REV.	ECN NO	LOCATIONS	DESCRIPTION	DATE	REVISER	APPD



Note:

Specification:

1. Current rating: 1 A Max.
2. Dielectric withstanding voltage: 500 V(ac) for 1 minute.
3. Contact resistance: 30 mW Max.
4. Insulation resistance: 1000 MW Min at DC 500V.
5. Mating force: 11.5 Kgf Max.
6. Unmating force: 3.0 Kgf Min.
7. Temperature range: -55°C~+105°C



A	B	C	D
前鉚型(不通孔)	后鉚型(通孔)	后鉚型(魚叉)	后鉚型(4.0通孔)

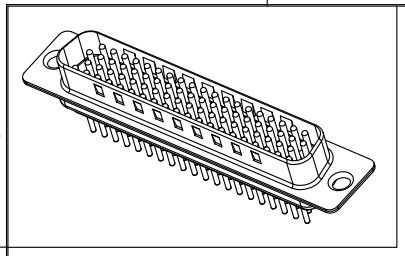
9	4.0 Nut	2	Brass	H4.75*5.5	80u"min Nickel Plated
8	Hex Screw	2	Brass	H5*10	80u"min. Nickel Plated
7	Boardlock NUT	2	Brass	H4.75*11.5	80u"min. Tin Plated
6	8.0 Nut	2	Brass	H4.75*8.0	80u"min. Nickel Plated
5	3B Nut	2	Brass	H4.75*4.75	80u"min. Nickel Plated
4	Back-shell	1	Cold Rolled Steel	T=0.40mm	80u"min. Tin/Nickel Plated
3	Front-shell	1	Cold Rolled Steel	T=0.40mm	80u"min. Nickel/Tin Plated
2	Contact	62	Brass	T=0.20mm	Contact area:0.8~30u"Gold Plated over 40u"Nickel min. Solder area:80u"min. Tin Plated over 40u"Nickel min.
1	Housing	2	P.B.T	UL 94-V0	Black/Blue/White
No.	Part Name	Q'ty	Material	Remarks & Thickness	Finish

PART NO:		MATERIAL:			
MODEL NO:		FINSH:			
UNIT: mm	SIZE: A4	COLOR:		PART NAME:	
TOLERANCE UNSPECIFIED		DR: 李霞 '06/04/21		D-SUB HDIP 62PIN(M)	
.x ±0.30	.xx ±0.20	CHK: Kevin '06/04/21		DWG NO: S/A-228	REV: A0
.xxx ±0.10	ANG. ±1°	APP: Kent '06/04/21		SCALE: 1:1	SHEET: 1 of 1

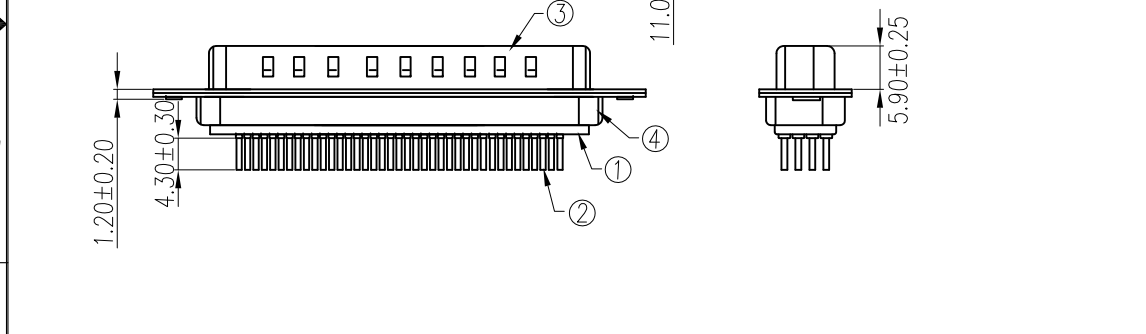
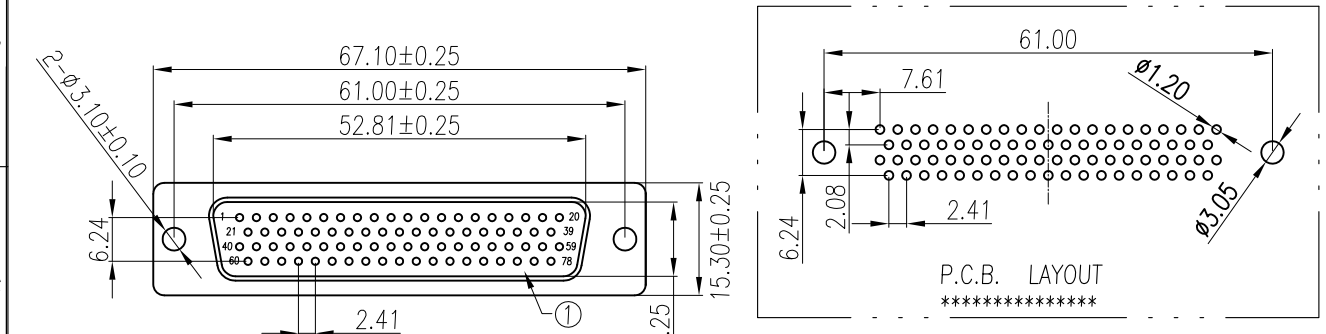
ROHS Compliant

1 2 3 4 5 6 7 8

REV.	ECN NO	LOCATIONS	DESCRIPTION	DATE	REVISER	APPD



- Note:
Specification:
1. Current rating: 1 A Max.
 2. Dielectric withstanding voltage: 500 V(ac) for 1 minute.
 3. Contact resistance: 30 mΩ Max.
 4. Insulation resistance: 1000 MΩ Min at DC 500V.
 5. Mating force: 13.5 Kgf Max.
 6. Unmating force: 3.7 Kgf Min.
 7. Temperature range: -55°C~+105°C



A	B	C	D
前鉗型(不通孔)	后鉗型(通孔)	后鉗型(魚叉)	后鉗型(4.0通孔)

9	4.0 Nut	2	Brass	H4.75*5.5	80u"min Nickel Plated
8	Hex Screw	2	Brass	H5*10	80u"min. Nickel Plated
7	Boardlock NUT	2	Brass	H4.75*11.5	80u"min. Tin Plated
6	8.0 Nut	2	Brass	H4.75*8.0	80u"min. Nickel Plated
5	3B Nut	2	Brass	H4.75*4.75	80u"min. Nickel Plated
4	Back-shell	1	Cold Rolled Steel	T=0.40mm	80u"min. Tin/Nickel Plated
3	Front-shell	1	Cold Rolled Steel	T=0.40mm	80u"min. Nickel/Tin Plated
2	Contact	78	Brass	T=0.20mm	Contact area:0.8~30u"Gold Plated over 40u"Nickel min. Solder area:80u"min. Tin Plated over 40u"Nickel min.
1	Housing	2	P.B.T	UL 94-V0	Black/Blue/White
No.	Part Name	Q'ty	Material	Remarks & Thickness	Finish

PART NO:		MATERIAL:			
MODEL NO:		FINISH:			
UNIT: mm	SIZE: A4	COLOR:		PART NAME:	
TOLERANCE UNSPECIFIED		DR: 李霞 '06/04/22		D-SUB HDIP 78PIN(M)	
.x ±0.30	.xx ±0.20	CHK: Kevin '06/04/22		DWG NO: S/A-233	REV: A0
.xxx ±0.10	ANG. ±1°	APP: Kent '06/04/22		SCALE: 1:1	SHEET: 1 of 1

ROHS Compliant

1 2 3 4 5 6 7 8