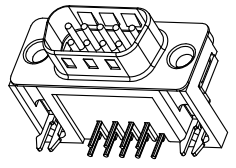


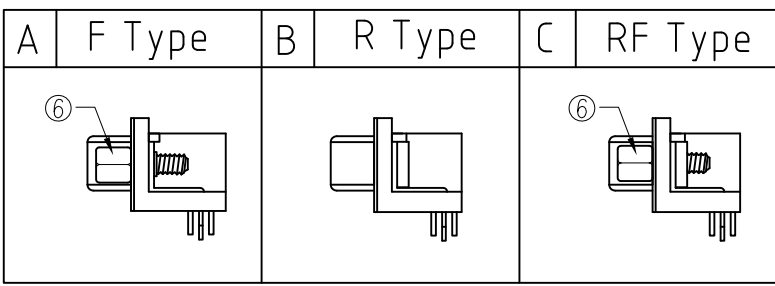
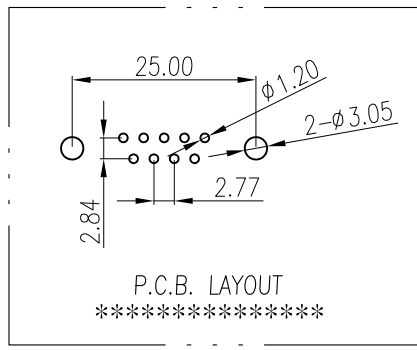
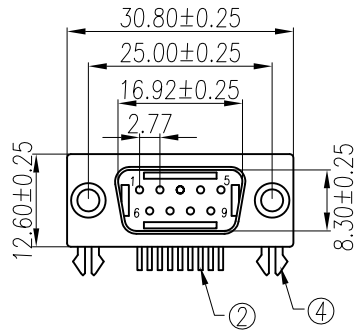
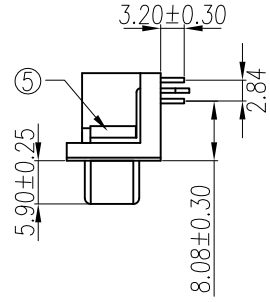
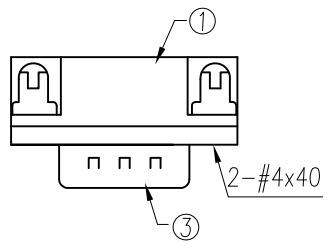
REV.	ECN NO	LOCATIONS	DESCRIPTION	DATE	REVISER	APPD



Note:

Specification:

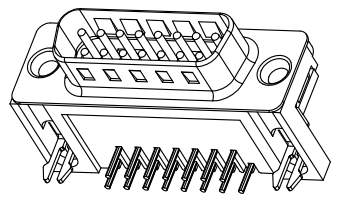
1. Current rating: 1 A Max.
2. Dielectric withstanding voltage: 500 V(ac) for 1 minute.
3. Contact resistance: 30 mΩ Max.
4. Insulation resistance: 1000 MΩ Min at DC 500V.
5. Mating force: 5.5 Kgf Max.
6. Unmating force: 1.7 Kgf Min.
7. Temperature range: -55°C~+105°C



6	Screw	2	Brass	4.75*11.80mm	80u"min. Nickel Plated
5	Rivated	2	Brass	5.4*5.1mm	80u"min. Nickel Plated
4	"Z" type board-lock	2	Brass	T=0.50mm	80u"min. Tin Plated
3	Front-shell	1	Cold rolled steel	T=0.40mm	80u"min. Nickel/Tin Plated
2	Contact	9	Brass	T=0.20mm	Contact area:0.8u"min. Gold Plated over 40u"Nickel min. Solder area:80u"min. Tin Plated over 40u"Nickel min. (All Gold)
1	Housing	2	P.B.T	UL 94-V0	Black
No.	Name	Q'ty	Material	Remarks & Thickness	Finish

PART NO:		MATERIAL:			
MODEL NO:		FINSH:			
UNIT: mm	SIZE: A4	COLOR:		PART NAME:	
TOLERANCE UNSPECIFIED		DR: 段林麗 '06/04/29		D-SUB RIGHT ANGLE P.C.B TYPE 9PIN(M)	
.x ±0.30	.xx ±0.20	CHK: Kevin '06/04/29		DWG NO: S/A-137	REV: A0
.xxx ±0.10	ANG. ±1°	APP: Kent '06/04/29		SCALE: 1:1	SHEET: 1 of 1

ROHS Compliant

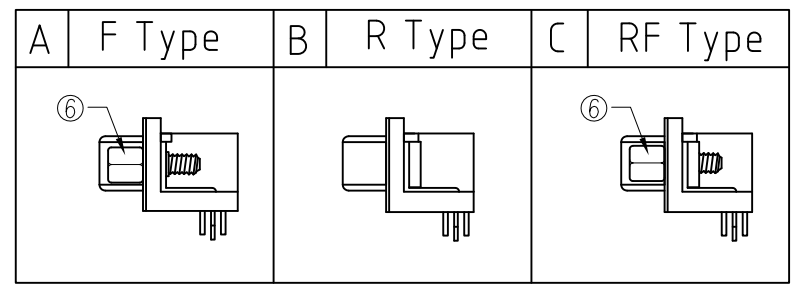
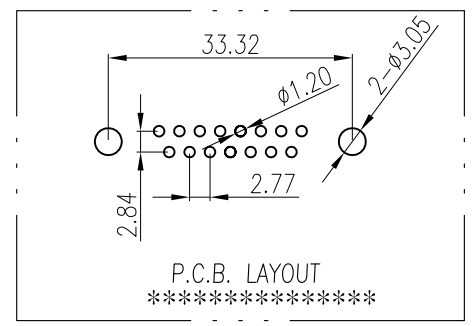
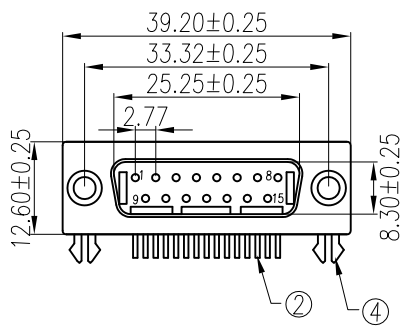
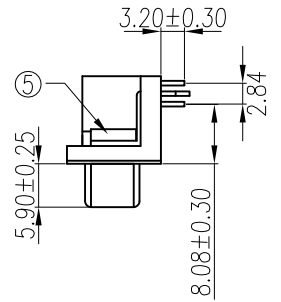
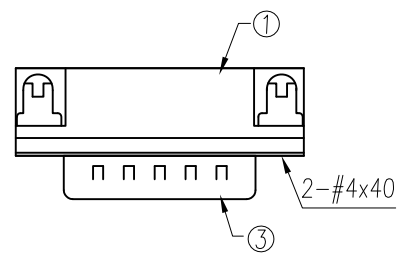


REV.	ECN NO	LOCATIONS	DESCRIPTION	DATE	REVISER	APPD

Note:

Specification:

1. Current rating: 1 A Max.
2. Dielectric withstanding voltage: 500 V(ac) for 1 minute.
3. Contact resistance: 30 mW Max.
4. Insulation resistance: 1000 MW Min at DC 500V.
5. Mating force: 6.5 Kgf Max.
6. Unmating force: 1.9 Kgf Min.
7. Temperature range: -55°C~+105°C

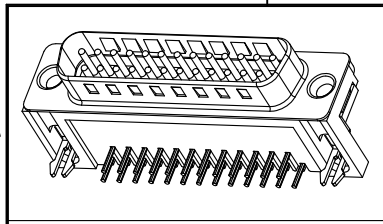


6	Screw	2	Brass	4.75*11.80mm	80u"min. Nickel Plated
5	Rivated	2	Brass	5.4*5.1mm	80u"min. Nickel Plated
4	"Z" type board-lock	2	Brass	T=0.50mm	80u"min. Tin Plated
3	Front-shell	1	Cold rolled steel	T=0.40mm	80u"min. Nickel/Tin Plated
2	Contact	15	Brass	T=0.20mm	Contact area:0.8u"min. Gold Plated over 40u"Nickel min. Solder area:80u"min. Tin Plated over 40u"Nickel min. (All Gold)
1	Housing	2	P.B.T	UL 94-V0	Black
No.	Name	Q'ty	Material	Remarks & Thickness	Finish

PART NO:		MATERIAL:			
MODEL NO:		FINSH:			
UNIT: mm	SIZE: A4	COLOR:		PART NAME:	
TOLERANCE UNSPECIFIED		DR: 段林麗 '06/04/28		D-SUB RIGHT ANGLE P.C.B TYPE 15PIN(M)	
.x ±0.30	.xx ±0.20	CHK: Kevin '06/04/28		DWG NO: S/A-138	REV: A0
.xxx ±0.10	ANG. ±1°	APP: Kent '06/04/28		SCALE: 1:1	SHEET: 1 of 1

ROHS Compliant

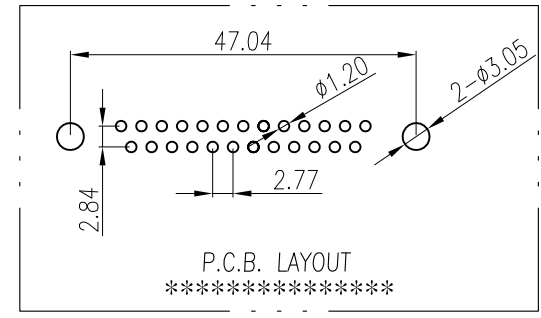
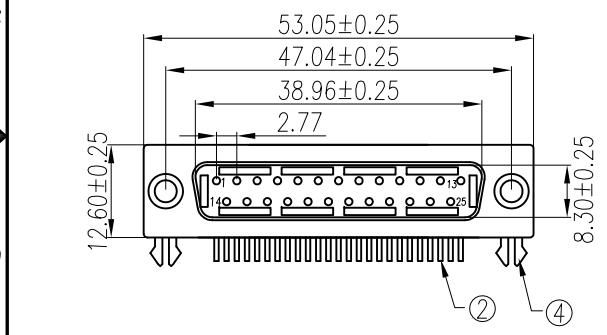
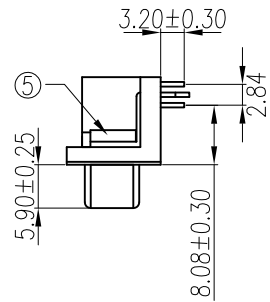
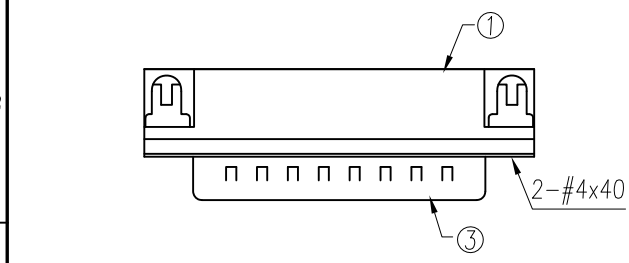
REV.	ECN NO	LOCATIONS	DESCRIPTION	DATE	REVISER	APPD



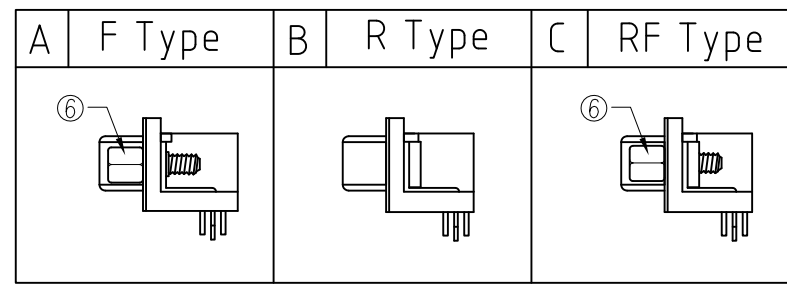
Note:

Specification:

1. Current rating: 1 A Max.
2. Dielectric withstanding voltage: 500 V(ac) for 1 minute.
3. Contact resistance: 30 mW Max.
4. Insulation resistance: 1000 MW Min at DC 500V.
5. Mating force: 7.5 Kgf Max.
6. Unmating force: 2.7 Kgf Min.
7. Temperature range: -55°C~+105°C



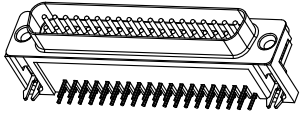
6	Screw	2	Brass	4.75*11.80mm	80u"min. Nickel Plated
5	Rivited	2	Brass	5.4*5.1mm	80u"min. Nickel Plated
4	"Z" type board-lock	2	Brass	T=0.50mm	80u"min. Tin Plated
3	Front-shell	1	Cold rolled steel	T=0.40mm	80u"min. Nickel/Tin Plated
2	Contact	25	Brass	T=0.20mm	Contact area:0.8u"min. Gold Plated over 40u"Nickel min. Solder area:80u"min. Tin Plated over 40u"Nickel min. (All Gold)
1	Housing	2	P.B.T	UL 94-V0	Black
No.	Name	Q'ty	Material	Remarks & Thickness	Finish



PART NO:		MATERIAL:			
MODEL NO:		FINSH:			
UNIT: mm	SIZE: A4	COLOR:		PART NAME:	
TOLERANCE UNSPECIFIED		DR: 段林麗 '06/04/29		D-SUB RIGHT ANGLE P.C.B TYPE 25PIN(M)	
.x ±0.30	.xx ±0.20	CHK: Kevin '06/04/29		DWG NO: S/A-139	REV: A0
.xxx ±0.10	ANG. ±1°	APP: Kent '06/04/29		SCALE: 1:1	SHEET: 1 of 1

ROHS Compliant

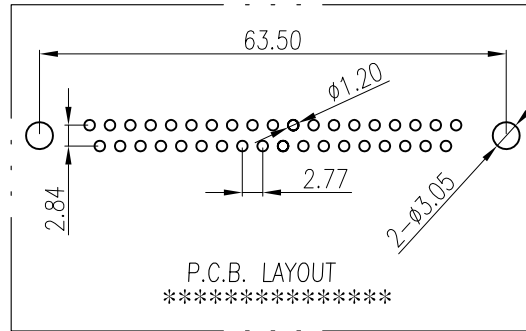
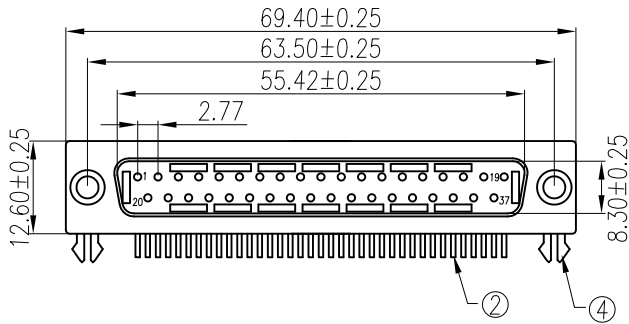
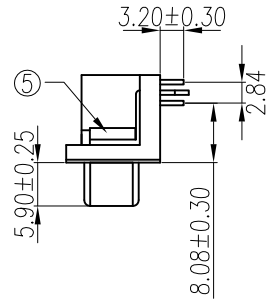
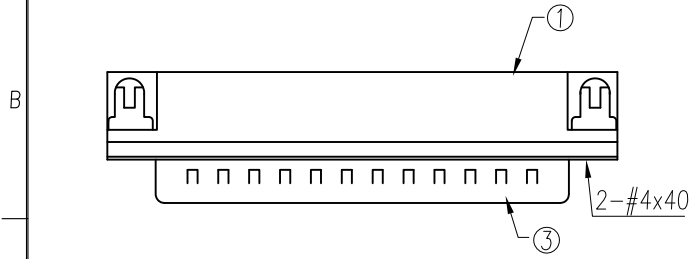
REV.	ECN NO	LOCATIONS	DESCRIPTION	DATE	REVISER	APPD



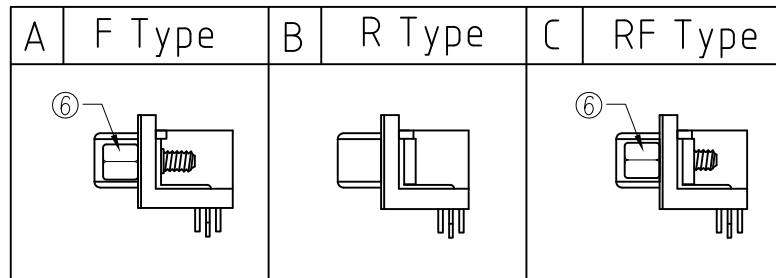
Note:

Specification:

1. Current rating: 1 A Max.
2. Dielectric withstanding voltage: 500 V(ac) for 1 minute.
3. Contact resistance: 30 mW Max.
4. Insulation resistance: 1000 MW Min at DC 500V.
5. Mating force: 9.0 Kgf Max.
6. Unmating force: 3.2 Kgf Min.
7. Temperature range: -55°C~+105°C



6	Screw	2	Brass	4.75*11.80mm	80u"min. Nickel Plated
5	Rivated	2	Brass	5.4*5.1mm	80u"min. Nickel Plated
4	"Z" type board-lock	2	Brass	T=0.50mm	80u"min. Tin Plated
3	Front-shell	1	Cold rolled steel	T=0.40mm	80u"min. Nickel/Tin Plated
2	Contact	37	Brass	T=0.20mm	Contact area:0.8u"min. Gold Plated over 40u"Nickel min. Solder area:80u"min. Tin Plated over 40u"Nickel min. (All Gold)
1	Housing	2	P.B.T	UL 94-V0	Black
No.	Name	Q'ty	Material	Remarks & Thickness	Finish



PART NO:		MATERIAL:			
MODEL NO:		FINSH:			
UNIT: mm	SIZE: A4	COLOR:		PART NAME:	
TOLERANCE UNSPECIFIED		DR: 段林麗 '06/04/28		D-SUB RIGHT ANGLE P.C.B TYPE 37PIN(M)	
.x	±0.30	CHK: Kevin '06/04/28		DWG NO: S/A-140	REV: A0
.xx	±0.20	APP: Kent '06/04/28		SCALE: 1:1	SHEET: 1 of 1
.xxx	±0.10				
ANG.	±1°				

ROHS Compliant