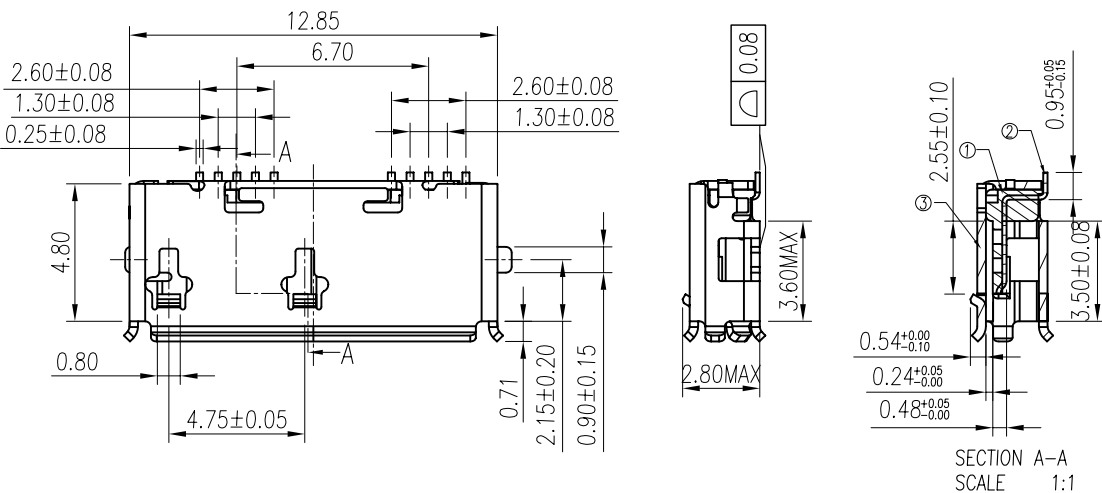
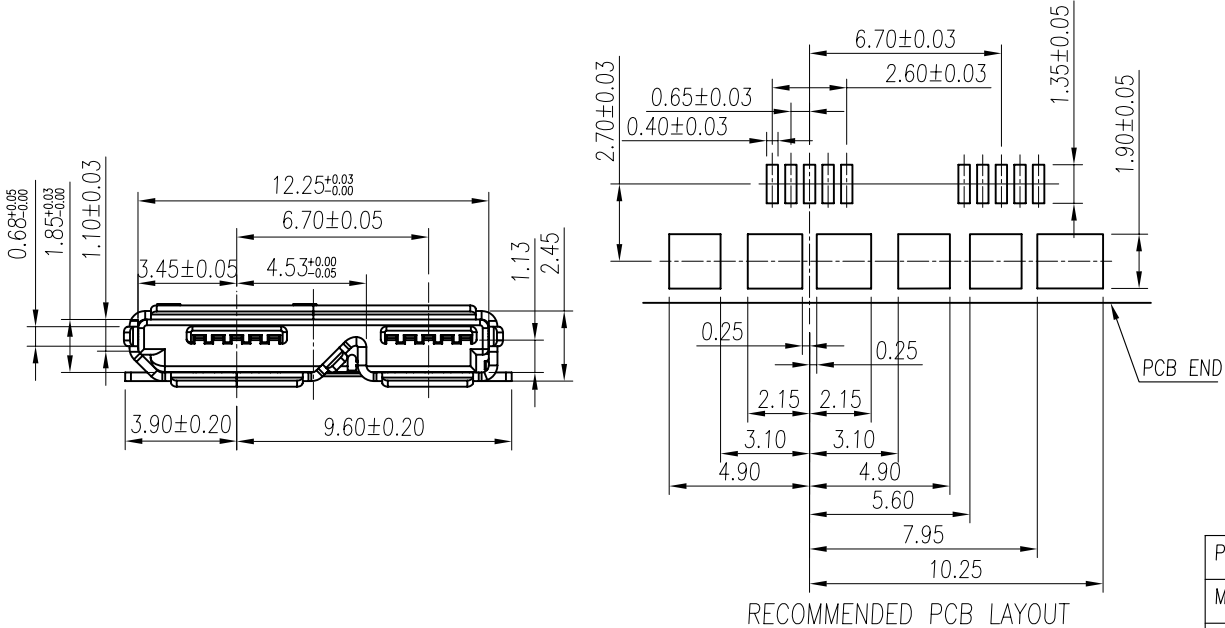


REV.	ECN NO	LOCATIONS	DESCRIPTION	DATE	REVISER	APPD



Note:

- Specification:
1. Rated voltage and current: 1A Max.
 2. Dielectric withstanding voltage: 30V(ac) for 1 minute.
 3. Contact resistance: Before life test 30m ohm Max.
After life test 50m ohm max
 4. Insulation resistance: 100MΩ Min INITIAL.
 5. Insertion force: 35 Newtons Max.
 6. Extraction force: 10 Newtons Min.
 7. Solderability: Terminal shall be immersed in flux before text,
Then dip in molten solder for 5±0.5 sec. At 245±5°C
 8. Temperature range: -55°C~+85°C



3	Shell	1	SUS	T=0.30mm	Cu:40"min.80u"~120u"Nickel Plated
2	Contact	10	Phosphor bronze	T=0.15mm	Contact area:30u"Gold Plated over 40u"Nickel min. Solder area:80~120u"Tin Plated over 40u"Nickel min.
1	Housing	1	LCP	UL 94-V0	Black
No.	Name	Q'ty	Material	Remarks & Thickness	Finish

PRAT NO:		MATERIAL:			
MODEL NO:		FINISH:			
UNIT: mm	SAZE: A4	COLOR:		PART NAME:	
TOLERANCE UNSPECIFIED		DR: 劉新洪 10/05/09		MICRO USB- B TYPE(F) SMT(3.0版)	
.X ±0.20	.XX ±0.10	CHK: James 10/05/09		DWG NO: S/A-600	
.XXX ±0.05	ANG ±1°	APP: Kent 10/05/09		SCALE: 1:1	
				SHEET: 1 of 1	
				REV. A0	

