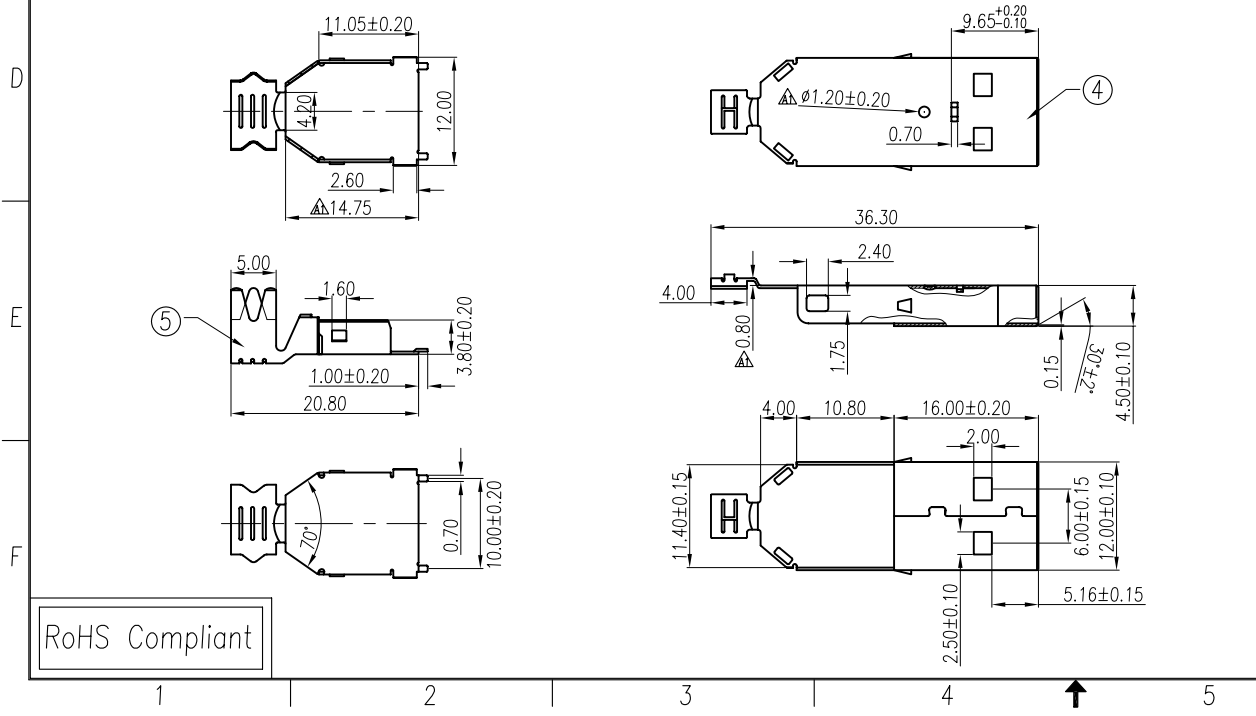


| REV. | ECN NO | LOCATIONS | DESCRIPTION | DATE | REVISER | APPD |
|------|--------|-----------|--|------------|---------|-------|
| A1 | | △ | 1.修改0.80±0.20尺寸標注位置 | 2009.10.29 | 黃義強 | James |
| | | | 2.修改尺寸14.94±0.20 → 14.75±0.20 3.修改尺寸φ1.20±0.10 → φ1.20±0.20 | 2009.10.29 | 黃義強 | James |

Note:

- Specification:
- Rated voltage and current: 1A Max.
 - Dielectric withstanding voltage: 30V(ac) for 1 minute.
 - Contact resistance: Before life test 30m ohm Max.
After life test 50m ohm max
 - Insulation resistance: 1000M ohm Min at DC 500V.
 - Insertion force: 35 Newtons Max.
 - Extraction force: 10 Newtons Min.
 - Solderability: Terminal shall be immersed in flux before text, Then dip in molten solder for 5±0.5 sec. At 245±5°C
 - Temperature range: -55°C~+85°C



| 5 | Back-shell | 1 | Cold Rolled Steel | T=0.30mm | Cu:40u"min.80~120u"Nickel Plated |
|-----|-------------|------|-------------------|---------------------|--|
| 4 | Front-shell | 1 | Cold Rolled Steel | T=0.30mm | Cu:40u"min.80~120u"Nickel Plated |
| 3 | Contact | 5 | Brass | T=0.20mm | Contact area:30u"Gold Plated over 40u"Nickel min. Solder area:80~120u"Tin Plated over 40u"Nickel min. |
| 2 | Contact | 4 | Brass | T=0.25mm | Contact area:30u"Gold Plated over 40u"Nickel min. Solder area:80~120u"Tin Plated over 40u"Nickel min. |
| 1 | Housing | 2 | PBT | UL 94-V0 | Blue |
| No. | Name | Q'ty | Material | Remarks & Thickness | Finish |

| | | | | | |
|-----------------------|-----------|-------------------------------------|-------------------|---------------|---------|
| PRAT NO: | MATERIAL: | HSI-CHIN ELECTRONICS CO.,LTD | | | |
| MODEL NO: | FINISH: | | | | |
| UNIT: mm | SAZE: A4 | COLOR: | PART NAME: | | |
| TOLERANCE UNSPECIFIED | | DR: 陳登輝 09/07/22 | USB-A(M)焊線式(3.0版) | | |
| .X ±0.30 | .XX ±0.20 | CHK: James 09/07/22 | DWG NO: | | REV. A1 |
| .XXX ±0.10 | ANG ±1° | APP: Kent 09/07/22 | SCALE: 1:1 | SHEET: 1 of 1 | |

RoHS Compliant