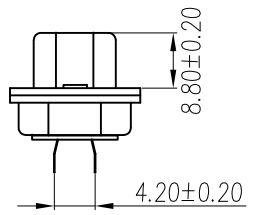
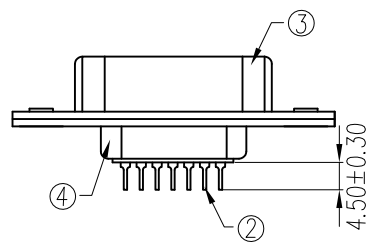
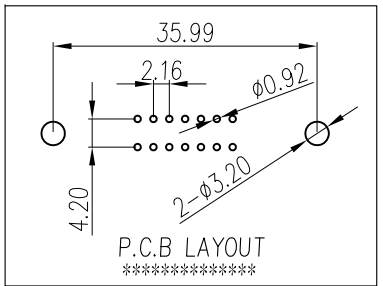
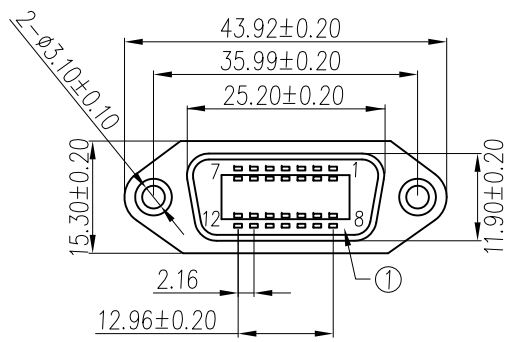


REV.	ECN NO	LOCATIONS	DESCRIPTION	DATE	REVISER	APPD

Note:

Specification:

1. Current rating: 1 A Max.
2. Dielectric withstanding voltage: 500 V(ac) for 1 minute.
3. Contact resistance: 30 mΩ Max.
4. Insulation resistance: 1000 MΩ Min at DC 500V.
5. Insertion force: 4.5 Kgf Max.
6. Extraction force: 1.0 Kgf Min.
7. Temperature range: -55°C~+105°C

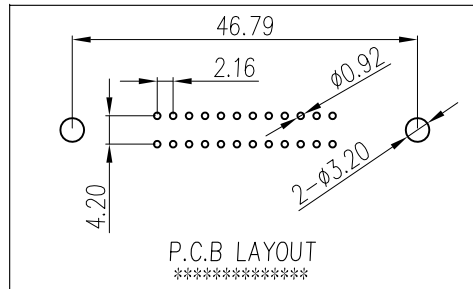
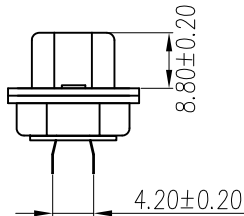
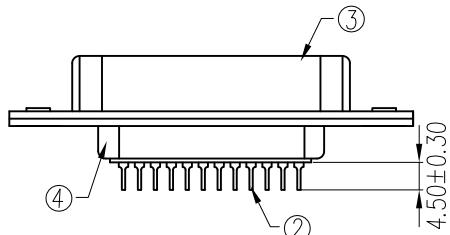
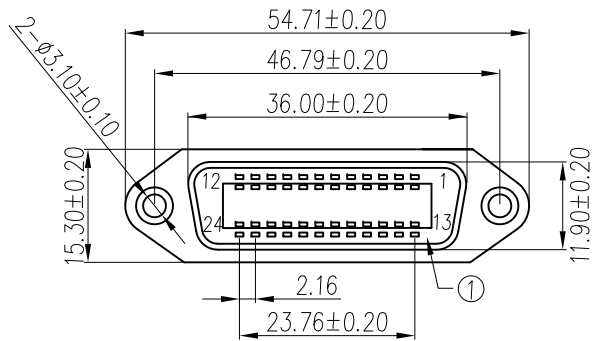
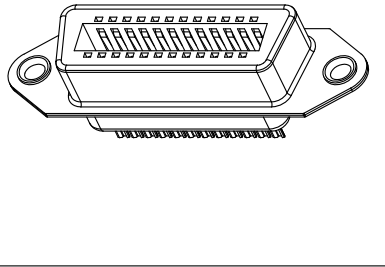


No.	Name	Q'ty	Material	Remarks & Thickness	Finish
4	Back-shell	1	Cold Rolled Steel	T=0.40mm	Cu: 40u"min. 80~120u" Tin Plated
3	Front-shell	1	Cold Rolled Steel	T=0.50mm	Cu: 40u"min. 80~120u" Nickel Plated
2	Contact	14	Phosphor Bronze	T=0.25mm	Contact area: 0.8~1.2U" Gold Plated over 40u" Nickel min. Solder area: 80~120U" Tin Plated over 40U" Nickel min.
1	Housing	1	P.B.T	UL 94-V0	Black/White/Blue

PART NO:		MATERIAL:			
MODEL NO:		FINSH:			
UNIT: mm	SIZE: A4	COLOR:		PART NAME:	
TOLERANCE UNSPECIFIED		DR: 段林麗 '06/03/03		CENTRONIC 14PIN(F) 180° DIP 梯形平邊	
.x ±0.30	.xx ±0.20	CHK: Song '06/03/03		DWG NO: S/A-291	REV: A0
.xxx ±0.10	ANG. ±1°	APP: Kent '06/03/03		SCALE: 1:1	SHEET: 1 of 1

ROHS Compliant

REV.	ECN NO	LOCATIONS	DESCRIPTION	DATE	REVISER	APPD



ROHS Compliant

Note:

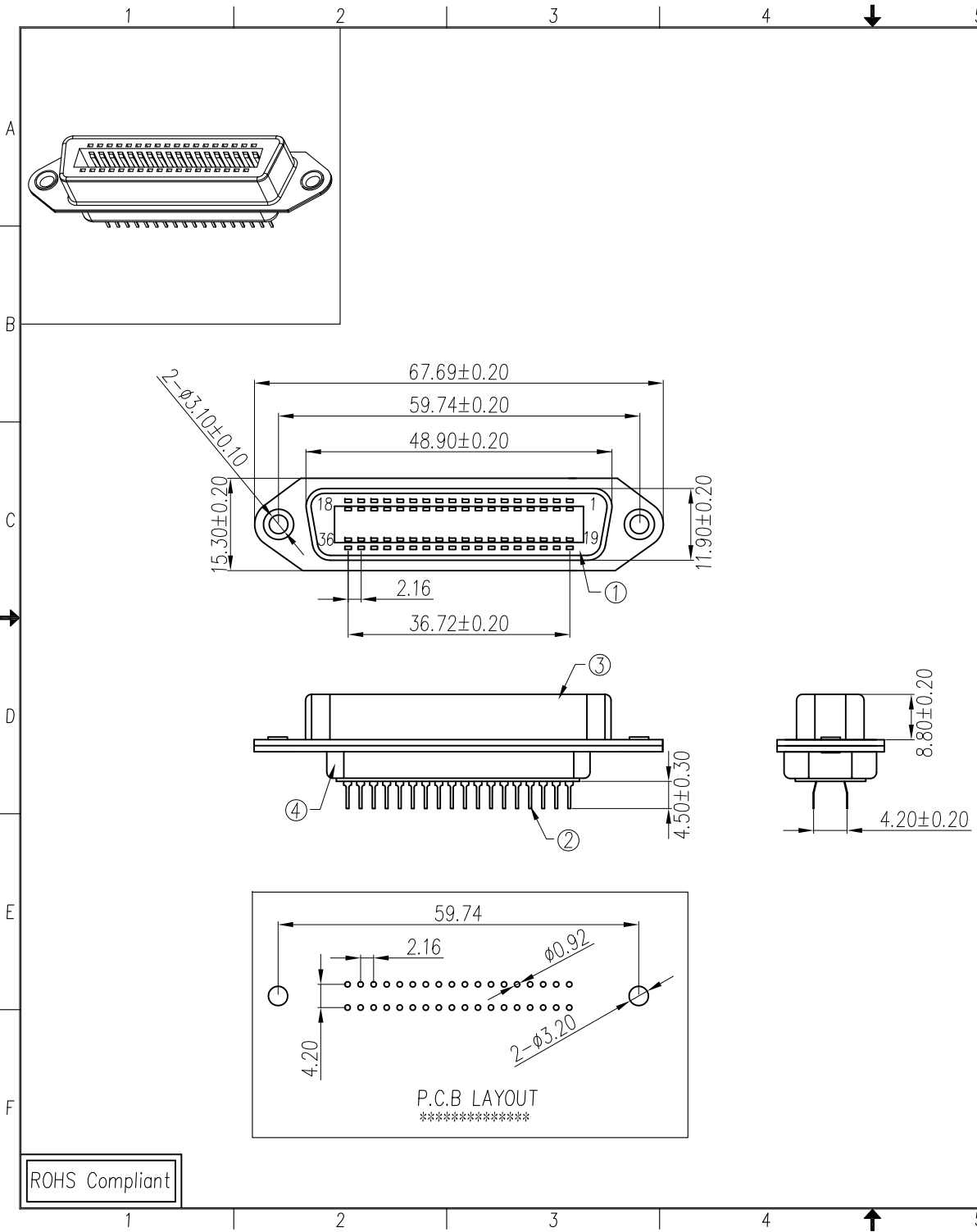
Specification:

1. Current rating: 1 A Max.
2. Dielectric withstanding voltage: 500 V(ac) for 1 minute.
3. Contact resistance: 30 mΩ Max.
4. Insulation resistance: 1000 MΩ Min at DC 500V.
5. Insertion force: 5.5 Kgf Max.
6. Extraction force: 1.5 Kgf Min.
7. Temperature range: -55°C~+105°C

4	Back-shell	1	Cold Rolled Steel	T=0.40mm	Cu: 40u"min. 80~120u" Tin Plated
3	Front-shell	1	Cold Rolled Steel	T=0.50mm	Cu: 40u"min. 80~120u" Nickel Plated
2	Contact	14	Phosphor Bronze	T=0.25mm	Contact area: 0.8~1.2U" Gold Plated over 40U" Nickel min. Solder area: 80~120U" Tin Plated over 40U" Nickel min.
1	Housing	1	P.B.T	UL 94-V0	Black/White/Blue
No.	Name	Q'ty	Material	Remarks & Thickness	Finish

PART NO:		MATERIAL:			
MODEL NO:		FINISH:			
UNIT: mm	SIZE: A4	COLOR:		PART NAME:	
TOLERANCE UNSPECIFIED		DR: 段林麗 '06/03/03		CENTRONIC 24PIN(F) 180° DIP 梯形平邊	
.x	±0.30	CHK: Song '06/03/03		DWG NO:	S/A-292
.xx	±0.20	APP: Kent '06/03/03		SCALE:	1:1
.xxx	±0.10			SHEET:	1 of 1
ANG.	±1°			REV:	AO





REV.		ECN NO	LOCATIONS	DESCRIPTION	DATE	REVISER	APPD

Note:

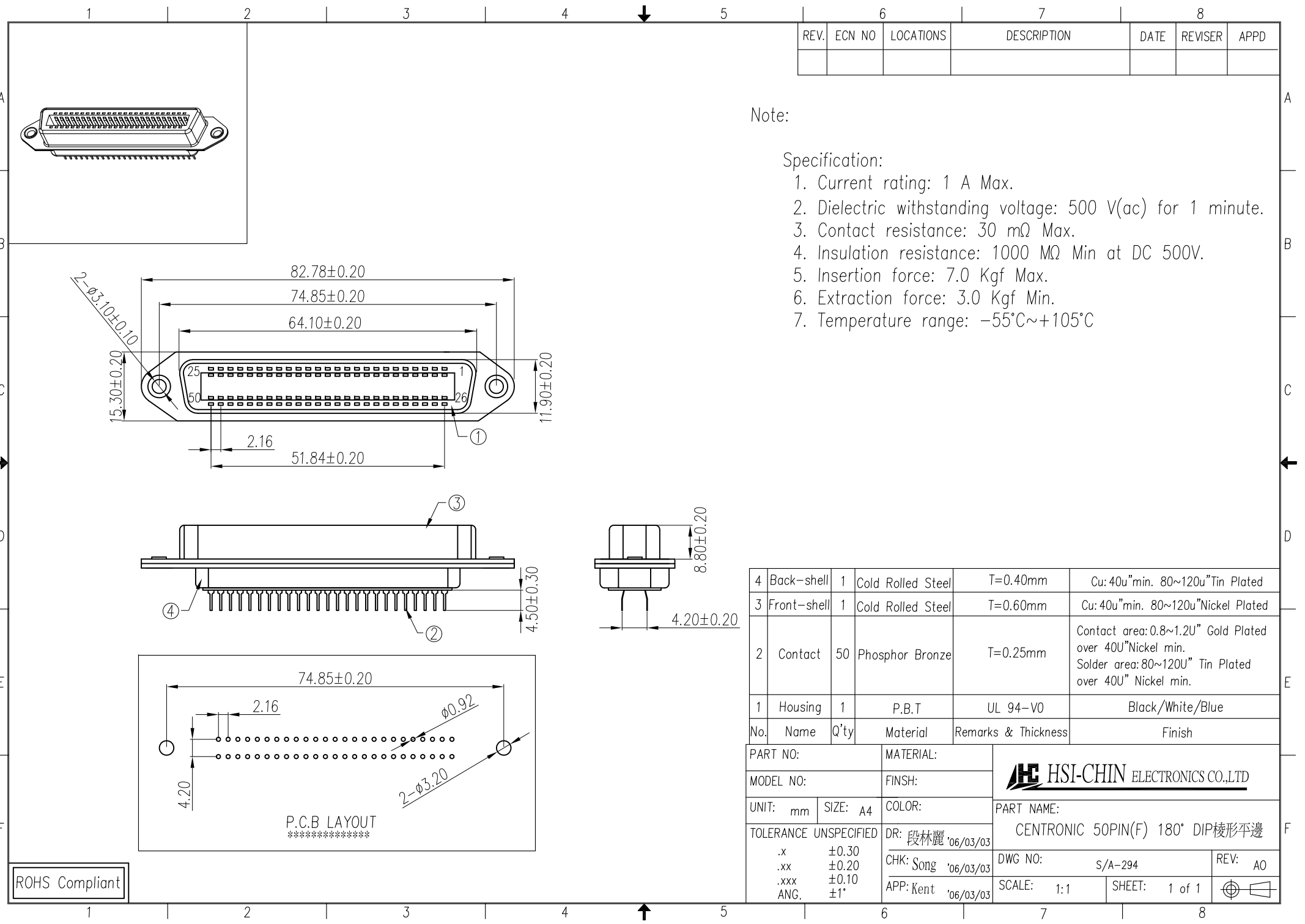
Specification:

1. Current rating: 1 A Max.
2. Dielectric withstanding voltage: 500 V(ac) for 1 minute.
3. Contact resistance: 30 mΩ Max.
4. Insulation resistance: 1000 MΩ Min at DC 500V.
5. Insertion force: 6.5 Kgf Max.
6. Extraction force: 2.5 Kgf Min.
7. Temperature range: -55°C~+105°C

4	Back-shell	1	Cold Rolled Steel	T=0.40mm	Cu: 40u"min. 80~120u" Tin Plated
3	Front-shell	1	Cold Rolled Steel	T=0.40mm	Cu: 40u"min. 80~120u" Nickel Plated
2	Contact	36	Phosphor Bronze	T=0.25mm	Contact area: 0.8~1.2U" Gold Plated over 40U" Nickel min. Solder area: 80~120U" Tin Plated over 40U" Nickel min.
1	Housing	1	P.B.T	UL 94-V0	Black/White/Blue
No.	Name	Q'ty	Material	Remarks & Thickness	Finish

PART NO:		MATERIAL:			
MODEL NO:		FINSH:			
UNIT: mm	SIZE: A4	COLOR:		PART NAME:	
TOLERANCE UNSPECIFIED		DR: 段林麗 '06/03/03		CENTRONC 36PIN(F) 180° DIP 梯形平邊	
.x ±0.30	.xx ±0.20	CHK: Song '06/03/03		DWG NO: S/A-293	REV: A0
.xxx ±0.10	ANG. ±1°	APP: Kent '06/03/03		SCALE: 1:1	SHEET: 1 of 1

ROHS Compliant



REV.	ECN NO	LOCATIONS	DESCRIPTION	DATE	REVISER	APPD

Note:

Specification:

1. Current rating: 1 A Max.
2. Dielectric withstanding voltage: 500 V(ac) for 1 minute.
3. Contact resistance: 30 mΩ Max.
4. Insulation resistance: 1000 MΩ Min at DC 500V.
5. Insertion force: 7.0 Kgf Max.
6. Extraction force: 3.0 Kgf Min.
7. Temperature range: -55°C~+105°C

No.	Name	Q'ty	Material	Remarks & Thickness	Finish
4	Back-shell	1	Cold Rolled Steel	T=0.40mm	Cu: 40u"min. 80~120u" Tin Plated
3	Front-shell	1	Cold Rolled Steel	T=0.60mm	Cu: 40u"min. 80~120u" Nickel Plated
2	Contact	50	Phosphor Bronze	T=0.25mm	Contact area: 0.8~1.2U" Gold Plated over 40U" Nickel min. Solder area: 80~120U" Tin Plated over 40U" Nickel min.
1	Housing	1	P.B.T	UL 94-V0	Black/White/Blue

PART NO:		MATERIAL:			
MODEL NO:		FINSH:			
UNIT: mm	SIZE: A4	COLOR:		PART NAME:	
TOLERANCE UNSPECIFIED		DR: 段林麗 '06/03/03		CENTRONIC 50PIN(F) 180° DIP 梯形平邊	
.x ±0.30	.xx ±0.20	CHK: Song '06/03/03		DWG NO: S/A-294	REV: AO
.xxx ±0.10	ANG. ±1°	APP: Kent '06/03/03		SCALE: 1:1	SHEET: 1 of 1

ROHS Compliant

P.C.B LAYOUT
