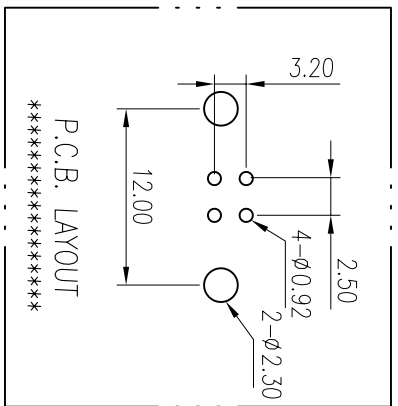
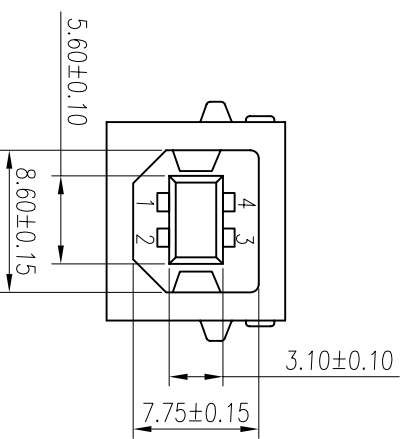
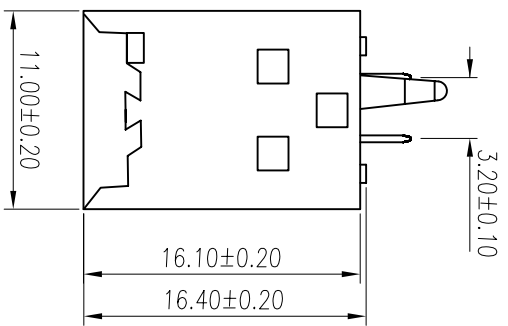
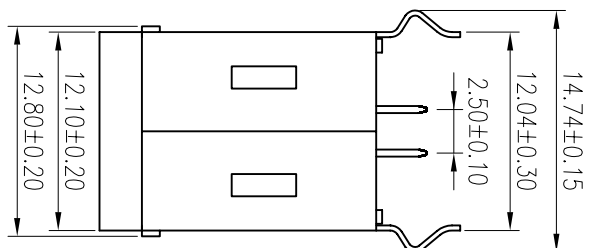


REV.	ECN NO	LOCATIONS	DESCRIPTION	DATE	REVISER	APPD



Note:

1.Material:

- 1.1 Insulator: P.B.T UL 94-V0 rated.
- 1.2 Contact: Phosphor bronze,t=0.25mm.
- 1.3 Shell: Brass ,t=0.30mm.

2.Specification:

- 2.1 Rated voltage and current: 1.5A at 250V AC minimum.x.
- 2.2 Dielectric withstanding voltage: 500V AC/1 minute without breakdown.
- 2.3 Contact resistance:Before life test 30m ohm Max.  
After life test 50m ohm max
- 2.4 Insulation resistance: 1000M ohm Min at DC 500V.
- 2.5 Insertion force: 35 Newtons Max.
- 2.6 Extraction force: 10 Newtons Minimum.
- 2.7 Solderability:Terminal shall be immersed in flux before text,Then dip in molten solder for 5±0.5 sec. At 245±5°C

3.Finishes:

- 3.1 Contacts:Gold flashed 1u",3u",5u",10U",15u",30u".
- 3.2 Shell: Nickel plated.

No.	Name	Qty	Material	Remarks & Thickness	Finish	Environment
3	Shell	1	Brass	T=0.30mm	Nickel Plated	Common Nontoxic
2	Contact	4	Phosphor bronze	T=0.25mm	Gold Flashed	Common Nontoxic
1	Housing	1	P.B.T	UL 94-V0	Black/Ivory	Common Nontoxic

PART NO:	MATERIAL:	<b>HSI-CHIN ELECTRONICS CO.,LTD</b>
MODEL NO:	FINSH:	
UNIT: mm	SIZE: A4	PART NAME: USB-B TYPE P.B.C (F)180°
COLOR:		DWG NO: S/A-373

TOLERANCE UNSPECIFIED		SCALE: 2:1		SHEET: 1 of 1	
x	±0.3	AP: Kent	06/05/09	REV: A0	
.xx	±0.20				
.xxx	±0.100				
ANG.	±1°				

