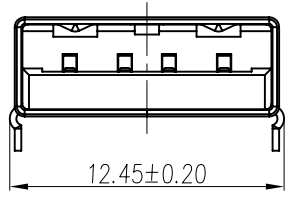
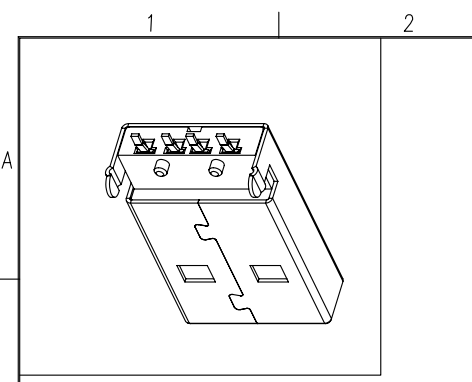


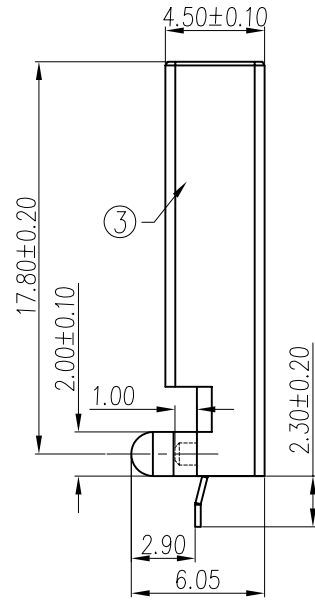
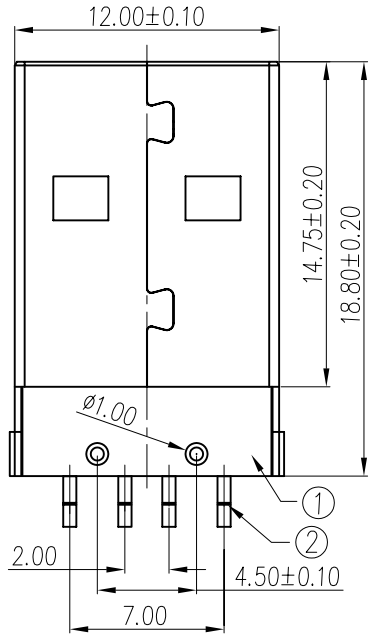
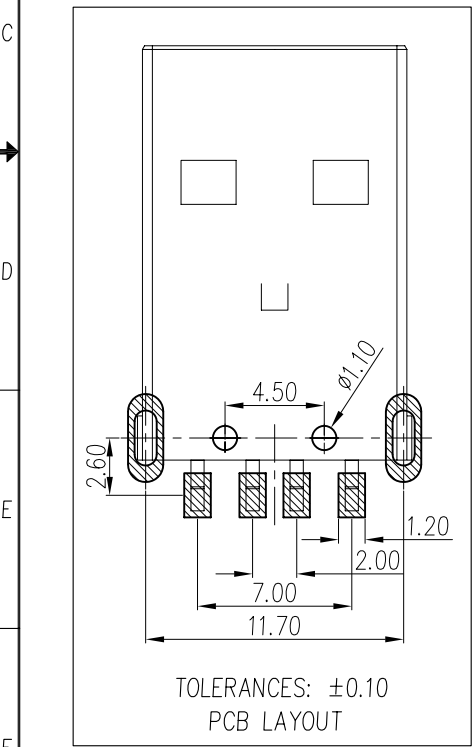
REV.	ECN NO	LOCATIONS	DESCRIPTION	DATE	REVISER	APPD



Note:

Specification:

1. Current rating: 1A Max.
2. Dielectric withstanding voltage: 30V(ac) for 1 minute.
3. Contact resistance: 30 mΩ Max.
4. Insulation resistance: 1000 MΩ Min at DC 500V.
5. Temperature range: -55°C~+105°C.



No.	Name	Q'ty	Material	Remark & Thickness	Finish
3	Shell	1	Cold rolled steel	T=0.30mm	Cu: 40u"min. 80~120u"Nickel Plated
2	Contact	4	Brass	T=0.25mm	Contact area: 0.8~1.2u"Gold Plated over 40u"Nickel min. Solder area: 80~120u"Tin Plated over 40u"Nickel min.
1	Housing	1	PA6T	UL 94-V0	Black

PART NO:		MATERIAL:			
MODEL NO:		FINISH:			
UNIT: mm	SIZE: A4	COLOR:		PART NAME:	
TOLERANCE UNSPECIFIED		DR: 吳曉亮 '07/01/11		USB-A(M) S.M.T(彎腳1.0*1.0)	
.x ±0.30	.xx ±0.20	CHK: Kevin '07/01/11		DWG NO:	S/A-376
.xxx ±0.10	ANG. ±1°	APP: Kent '07/01/11		SCALE: 1:1	SHEET: 1 of 1
ROHS Compliant				REV: A0	

ROHS Compliant