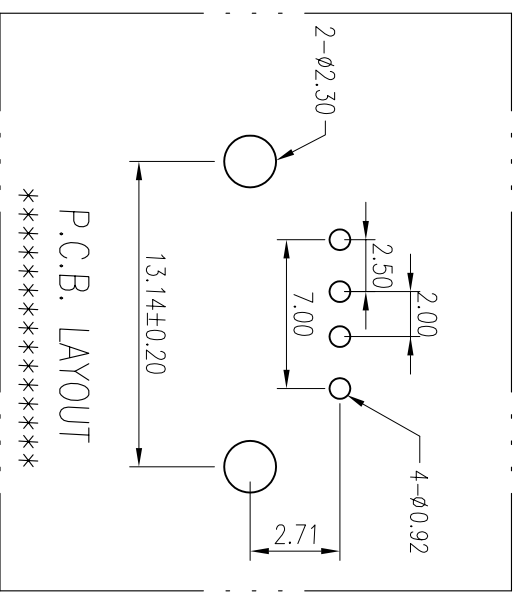
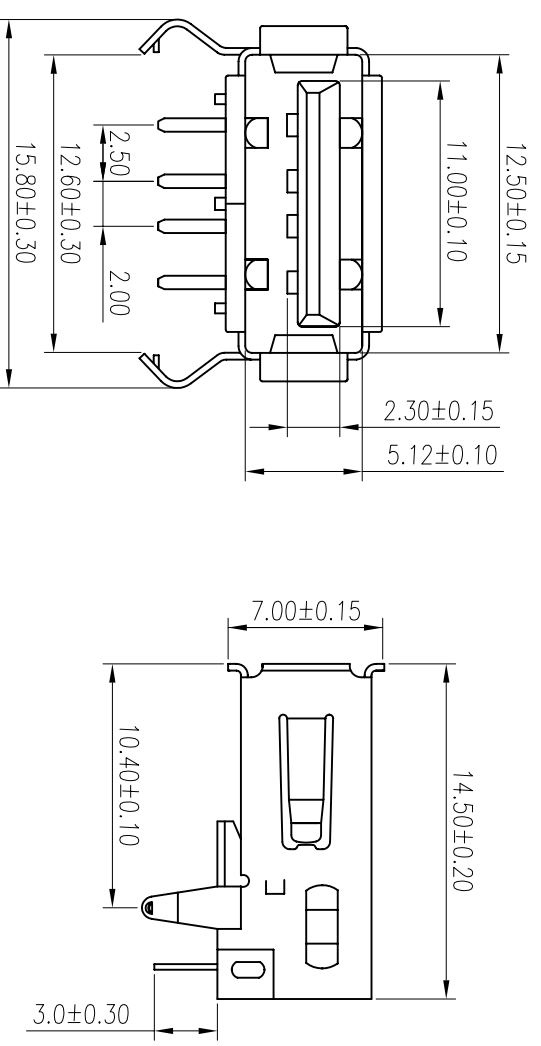


REV.	ECN NO	LOCATIONS	DESCRIPTION	DATE	REVISER	APPD



P.C.B. LAYOUT

- Note:
- Material:
 - Insulator: P.B.T G.F UL 94-V0 rated.
 - Contact: Brass,t=0.25mm.
 - Shell: Brass,t=0.30mm.

- Specification:
 - Rated voltage and current:1.5A at 250V AC minimum.
 - Dielectric withstanding voltage: 500V AC/1 minute without breakdown.
 - Contact resistance:Before life test 30m ohm max, After life tset 50m ohm max.
 - Insulation resistance:1000M ohm min.
 - Insertion force:35 Newtons maximum.
 - Extraction force:10 Newtons minimum.
 - Solderability:Terminal shall be immersed in flux before text, Then dip in molten solder for 5±0.5 sec. At 245±5°C.

- Finishes:
 - Contacts:Gold flashed 1u",3u",5u",10u",15u",30u".
 - Shell: Nickel plated.

No.	Name	Qty	Material	Remarks & Thickness	Finish
3	Shell	1	Brass	T=0.30mm	Nickel Plated
2	Contact	4	Brass	T=0.25mm	Gold Flashed
1	Housing	1	P.B.T	UL 94-V0	Black/Ivory

PART NO:		MATERIAL:			
MODEL NO:		FINSH:			
UNIT: mm	SIZE: A4	COLOR:		PART NAME:	
TOLERANCE UNSPECIFIED		DR: 李霞 06/04/16		USB-A TYPE P.C.B(F) 90°	
.x ±0.3	.xx ±0.20	CHK: Kevin 06/04/16		DWG NO: S/A-293	
.xxx ±0.100	ANG. ±1°	APP: Kent 06/04/16		SCALE: 3:1	
				SHEET: 1 of 1	
				REV: A0	