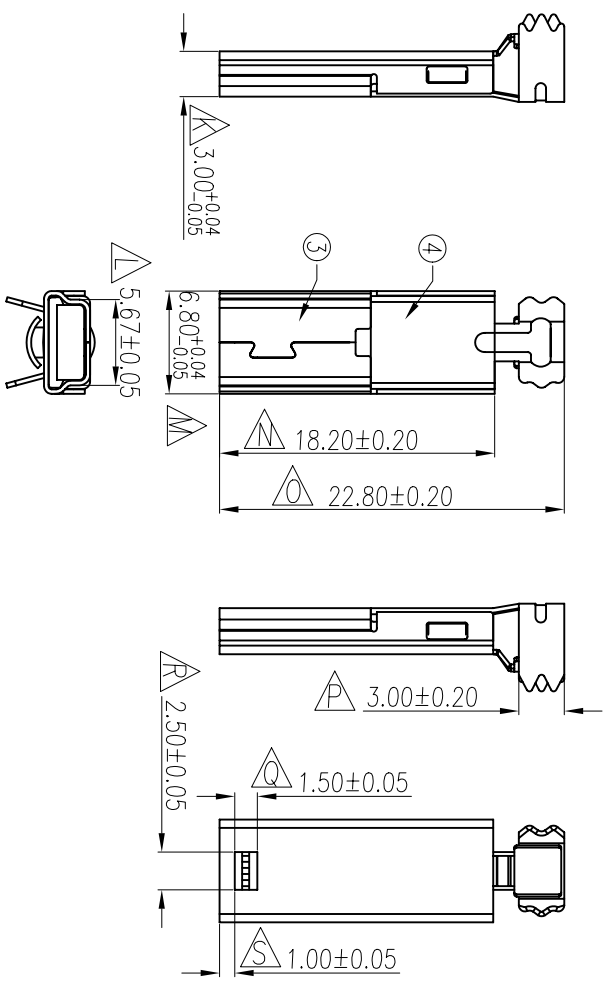
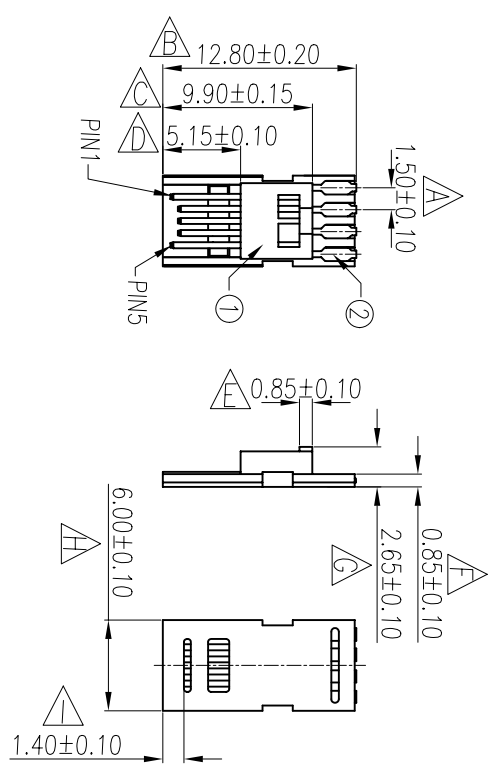


REV.	ECN NO	LOCATIONS	DESCRIPTION	DATE	REVISER	APPD
A1			增加管制項目	2007/06/02	趙承寶	Kent

Note:

Specification:

1. Current rating: 1 A Max.
2. Dielectric withstanding voltage: 500 V(ac) for 1 minute.
3. Contact resistance: 30 mW Max.
4. Insulation resistance: 1000 MW Min at DC 500V.
5. Temperature range: -55°C~+105°C



No.	Name	Q'ty	Material	Remarks&Thickness	Finish
4	Back Shell	1	Cold rolled steel	T=0.30mm	Cu:40u"min. 80u"~120u" Nickel Plated
3	Front Shell	1	Cold rolled steel	T=0.30mm	Cu:40u"min. 80u"~120u" Nickel Plated
2	Contact	5	Brass	T=0.25mm	Contact area: 3u"Gold Plated over 40u"Nickel min Solder area:80~120u"Tin Plated over 40u"Nickel Min.
1	Housing	1	PBT	UL 94-V0	Black Finish

USB 2.0 TID NO.:60000894



PRAT NO:	MATERIAL:	PART NAME:
MODEL NO:	FINSH:	MINI USB-5PIN(M) B TYPE線式超簿(五出四PIN)
UNIT: mm	SAZE: A4	DR: 趙承寶 07/06/21
TOLERANCE UNSPECIFIED		CHK: Kevin 07/06/21
X ±0.30		APP: Kent 07/06/21
XX ±0.20		SCALE: 2:1
XXX ±0.10		SHEET: 1 of 1
ANG ±1°		REV. A1

ROHS Compliant