

REV.	ECN NO	LOCATIONS	DESCRIPTION	DATE	REVISER	APPD

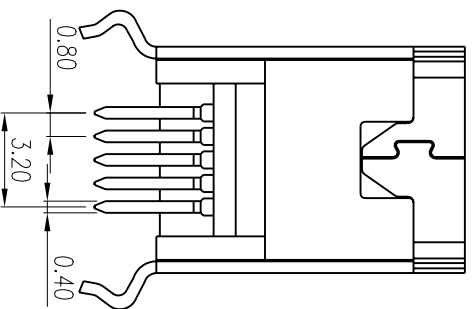
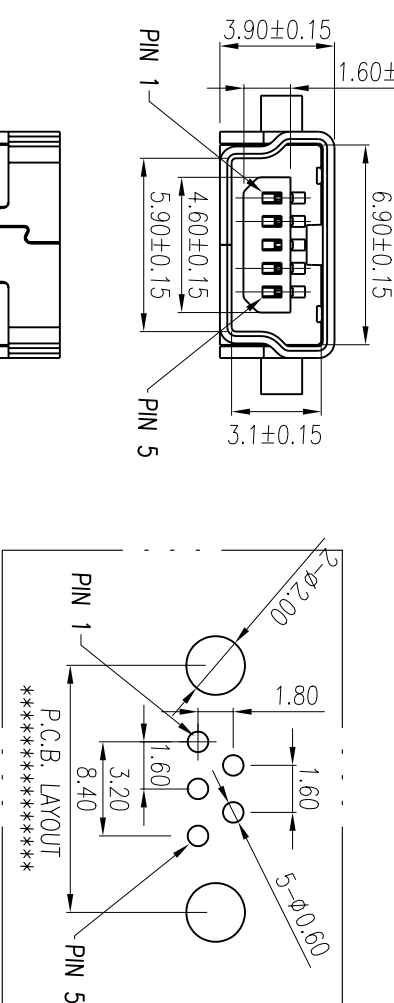
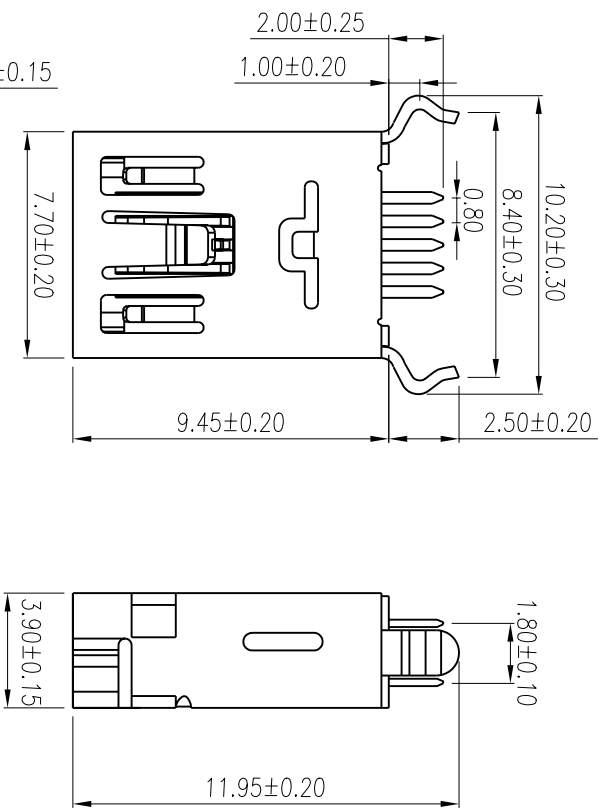
- Note:
- 1.Material:
- 1.1 Insulator: PA6T UL 94-V0 rated.
 - 1.2 Contact: Phosphor bronze,t=0.25mm.
 - 1.3 Shell: Phosphor bronze,t=0.40mm.

2.Specification:

- 2.1 Current rating: 1 A Max.
- 2.2 Dielectric withstanding voltage: 500 V(ac) for 1 minute.
- 2.3 Contact resistance: 30 mΩ Max.
- 2.4 Insulation resistance: 1000 M Ω Min at DC 500V.
- 2.5 Total mating force: 29.4Newtons Max.
- 2.6 Total unmating force: 4.9Newtons Min.
- 2.7 Temperature range: -55°C~+105°C

3.Finishes:

- 3.1 Contacts:Gold flashed 1u",3u",5u",10U",15u",30u".
- 3.2 shell:Nickel or Tin plated.



No.	Name	Q'ty	Material	Remarks & Thickness	Finish
3	Shell	1	Phosphor bronze	T=0.40mm	Nickel or Tin Plated
2	Contact	5	Phosphor bronze	T=0.25mm	Gold Flashed
1	Housing	1	PA6T	UL 94-V0	Black

PART NO:		MATERIAL:			
MODEL NO:		FINSH:			
UNIT: mm	SIZE: A4	COLOR:		PART NAME:	
TOLERANCE UNSPECIFIED		DR: 李霞		MINIUSB-5PIN B (F) 180° DIP	
.x	±0.3	CHK:Kevin		DWG NO: S/A-316	
.xx	±0.20	APP:Kent		SCALE: 4:1	
.xxx	±0.100	DATE: '06/04/20		SHEET: 1 of 1	
ANG.	±1°	REV: A0			