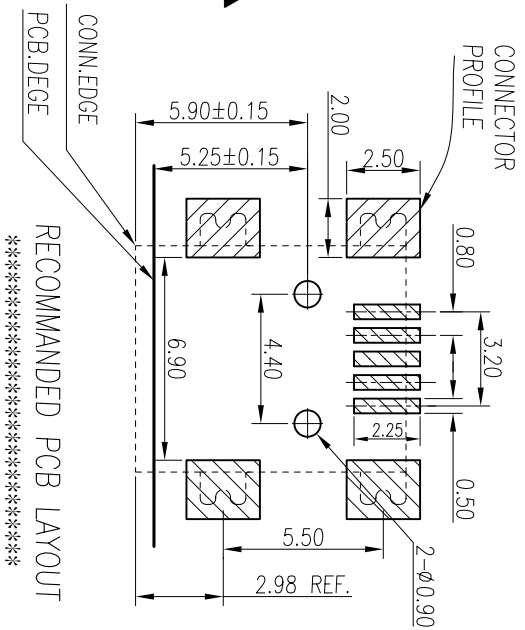
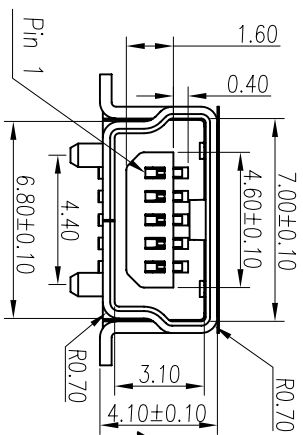
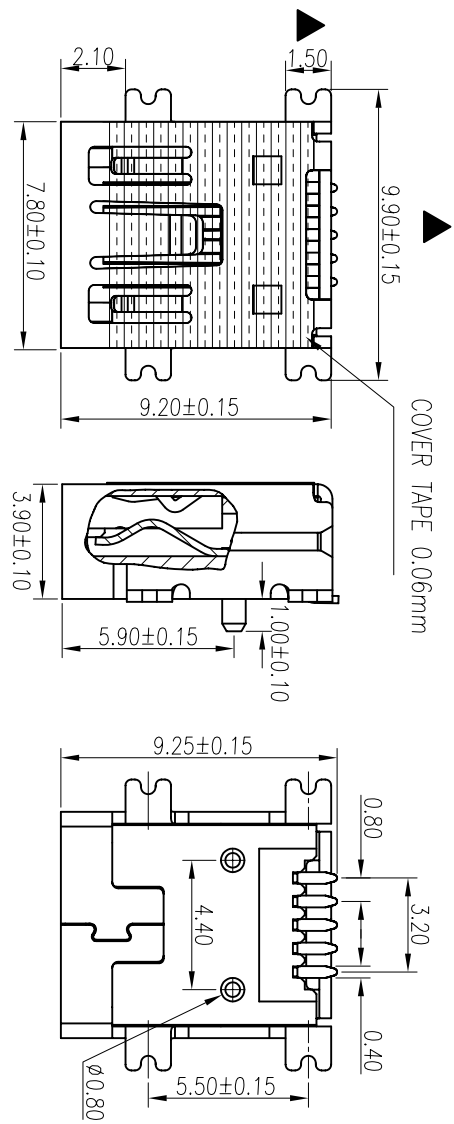


REV.	ECN NO	LOCATIONS	DESCRIPTION	DATE	REVISER	APPD
A1			依實物修改	2005/08/23	常各	



- Note:
- Material:
 - Insulator: L.C.P UL 94-V0 rated.
 - Contact: Phosphor bronze, $t=0.25\text{mm}$.
 - Shell: Phosphor bronze, $t=0.40\text{mm}$.

- Specification:
 - Current rating: 1 A Max.
 - Dielectric withstanding voltage: 500 V(ac) for 1 minute.
 - Contact resistance: $30\text{ m}\Omega$ Max.
 - Insulation resistance: 1000 M Ω Min at DC 500V.
 - Total mating force: 29.4 Newtons Max.
 - Total unmating force: 4.9 Newtons Min.
 - Temperature range: $-55^{\circ}\text{C}\sim+105^{\circ}\text{C}$

- Finishes:
 - Contacts: Gold flashed 1u", 3u", 5u", 10u", 15u", 30u".
 - shell: Nickel or Tin plated.

No.	Name	Q'ty	Material	Remarks & Thickness	Finish
3	Shell	1	Phosphor bronze	T=0.40mm	Nickel or Tin Plated
2	Contact	5	Phosphor bronze	T=0.25mm	Gold Flashed
1	Housing	1	LCP	UL 94-V0	Black/Ivory

PART NO:		MATERIAL:			
MODEL NO:		FINSH:			
UNIT: mm	SIZE: A4	COLOR:		PART NAME:	
TOLERANCE UNSPECIFIED		DR: 段林輝 '05/06/09		MINIUSB-5PIN(F) B TYPE S.M.T	
.x	±0.20	CHK: Kevin '05/06/09		DWG NO:	S/A-318
.xx	±0.10	APP: Kent '05/06/09		SCALE:	4:1
.xxx	±0.05			SHEET:	1 of 1
ANG.	±1			REV:	A1