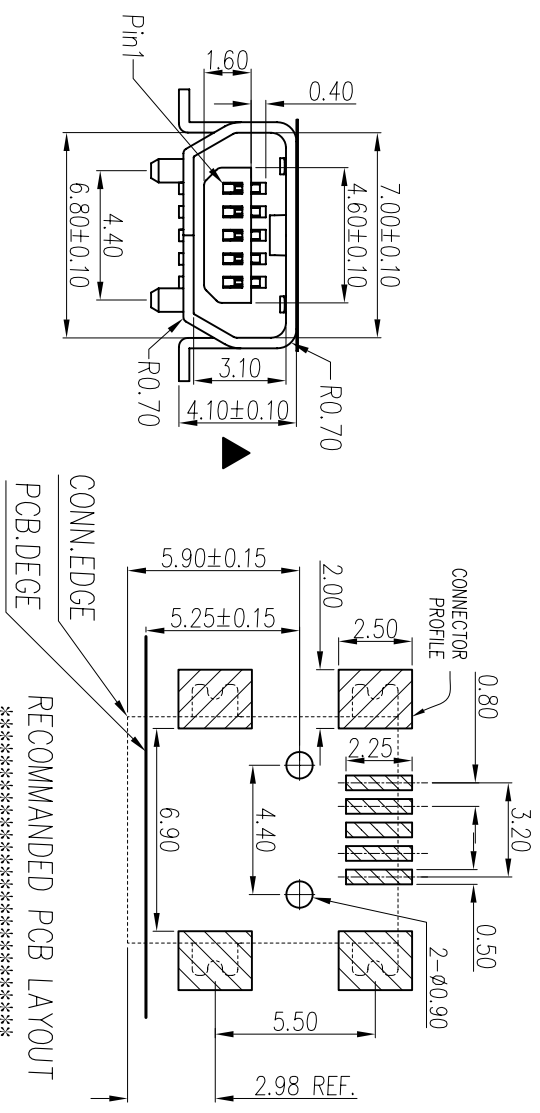
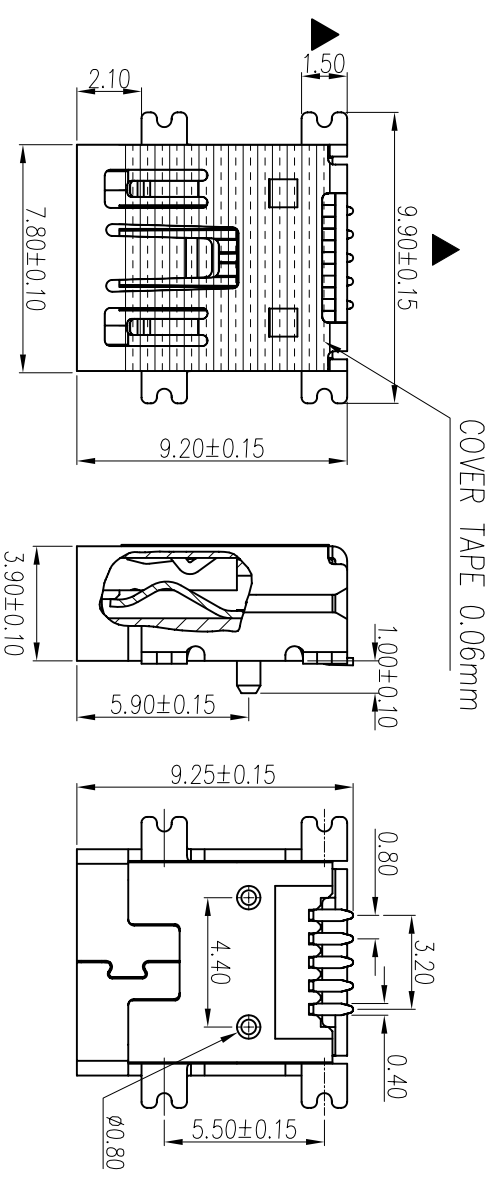


REV.	ECH NO	LOCATIONS	DESCRIPTION	DATE	REVISER	APPD
A1		▲	依實物修改	2005/08/23	常各	



- Note:
- Material:
 - Insulator: L.C.P UL 94-V0 rated.
 - Contact: Phosphor bronze, $t=0.25\text{mm}$.
 - Shell: Phosphor bronze, $t=0.40\text{mm}$.

- Specification:
 - Current rating: 1 A Max.
 - Dielectric withstanding voltage: 500 V(ac) for 1 minute.
 - Contact resistance: 30 mΩ Max.
 - Insulation resistance: 1000 MΩ Min at DC 500V.
 - Total mating force: 29.4 Newtons Max.
 - Total unmating force: 4.9 Newtons Min.
 - Temperature range: $-55^{\circ}\text{C}\sim+105^{\circ}\text{C}$

- Finishes:
 - Contacts: Gold flashed 15u", 30u".
 - Shell: Nickel or Tin plated.

No.	Name	Qty	Material	Remarks & Thickness	Finish
3	Shell	1	Phosphor bronze	T=0.40mm	Nickel or Tin Plated
2	Contact	5	Phosphor bronze	T=0.25mm	Gold Flashed
1	Housing	1	LCP	UL 94-V0	Grey

PART NO:	MATERIAL:	
MODEL NO.:	FINSH:	

UNIT: mm	SIZE: A4	COLOR:	PART NAME:
----------	----------	--------	------------

TOLERANCE UNSPECIFIED	DR: 段林麗 06/05/06	DWG NO: S/A-321	REV: A1
-----------------------	------------------	-----------------	---------

.x	±0.20	CHK: Kevin 06/05/06	SCALE: 4:1	SHEET: 1 of 1	REV: A1
.xx	±0.10	APP: Kent 06/05/06			
.xxx	±0.05				
ANG.	±1				