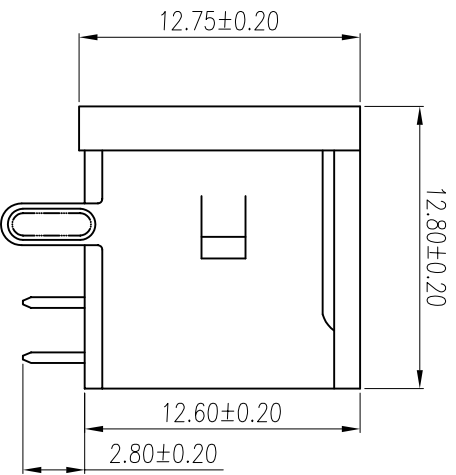
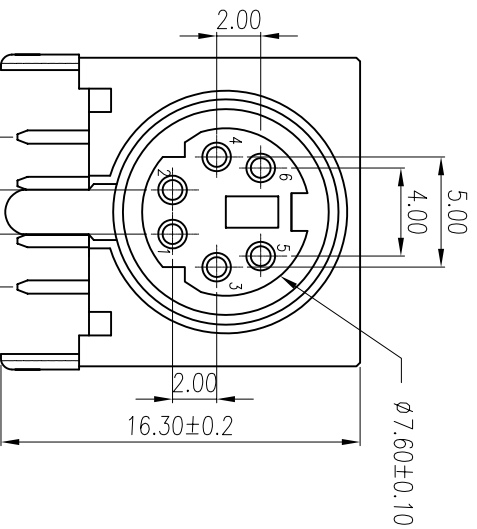


REV.	ECN NO	LOCATIONS	DESCRIPTION	DATE	REVISER	APPD



Note:

1. Material:

- 1.1 Insulator: P.B.T UL 94-V0 rated.
- 1.2 Contact: Phosphor bronze,  $t=0.20\text{mm}$ .
- 1.3 Boardlock: Cold rolled steel,  $t=0.40\text{mm}$ .
- 1.4 Shell: Brass,  $t=0.30\text{mm}$ .

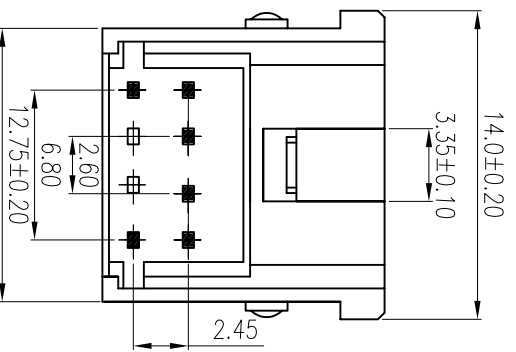
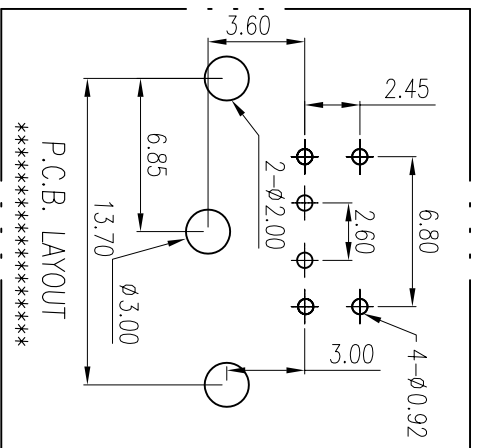
2. Specification:

- 2.1 Current rating: 1 A Max.
- 2.2 Dielectric withstanding voltage: 500 V(ac) for 1 minute.
- 2.3 Contact resistance: 30 mΩ Max.
- 2.4 Insulation resistance: 1000 MΩ Min at DC 500V.
- 2.5 Total mating force: 2.5 Kgf Max.
- 2.6 Total unmating force: 0.5 Kgf Min.
- 2.7 Temperature range:  $-55^{\circ}\text{C}\sim+105^{\circ}\text{C}$

3. Finishes:

- 3.1 contacts: Gold flashed 1u", 3u", 5u", 10u", 15u", 30u".
- 3.2 Shell: Nickel plated

4	Boardlock	1	Cold rolled steel	T=0.40mm	Nickel Plated
3	Shell	1	Brass	T=0.30mm	Nickel Plated
2	Contact	6	Phosphor bronze	T=0.20mm	Gold Flashed
1	Housing	1	P.B.T	UL 94-V0	Black/Green/Purple
No.	Name	Qty	Material	Remarks & Thickness	Finish



PART NO:		MATERIAL:		PART NAME:	
MODEL NO:		FINSH:		HSI-CHIN ELECTRONICS CO.,LTD	
UNIT: mm		COLOR:		SCALE: 2:1	
SIZE: A4		DR: 吳曉亮 '06/05/04		DWG NO: S/A-247	
TOLERANCE UNSPECIFIED		CHK: Kevin '06/05/04		REV: A0	
.x ±0.3		APP: Kent '06/05/04		SHEET: 1 of 1	
.xx ±0.20					
.xxx ±0.100					
ANG. ±1°					

MINI DIN RIGHT ANGLE P.B.C 6PIN TYPE(F) 半包式