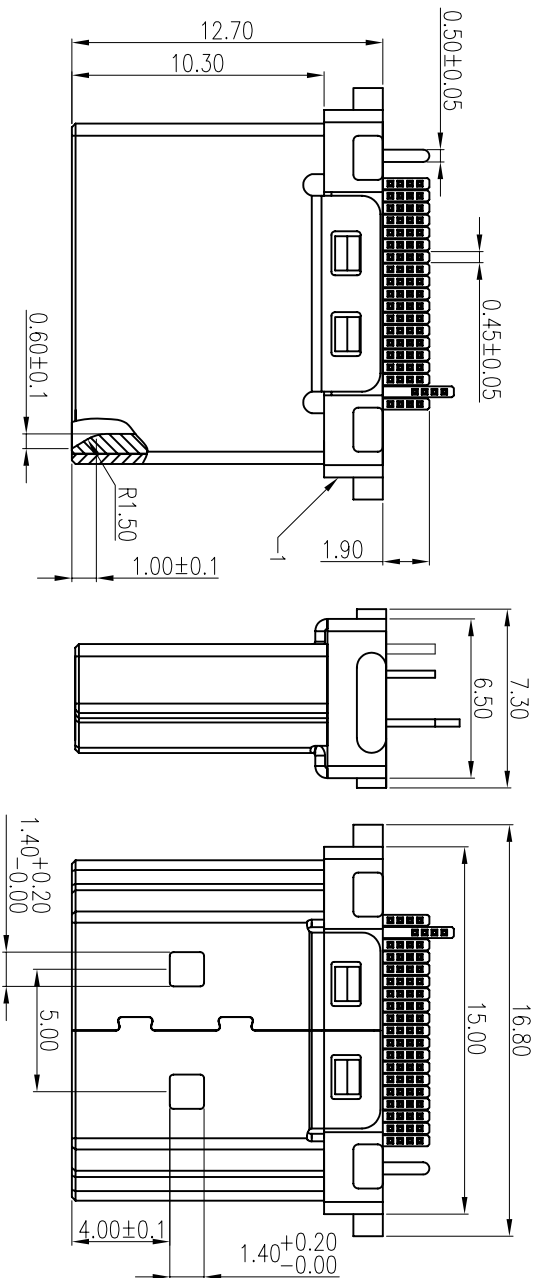


| REV. | ECN NO | LOCATIONS | DESCRIPTION | DATE | REVISER | APPD |
|------|--------|-----------|-------------|------|---------|------|
| | | | | | | |



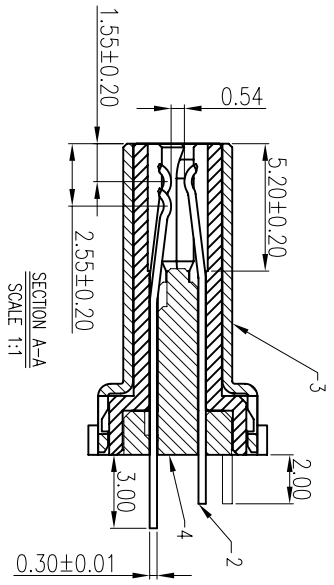
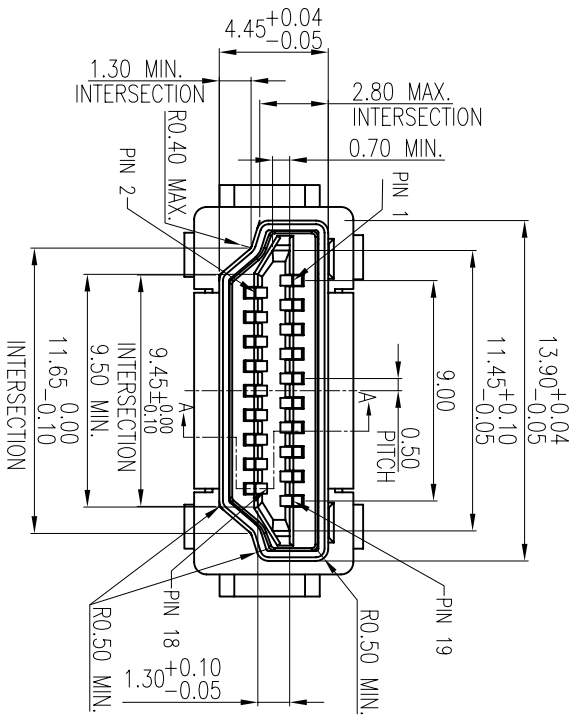
Note:

1.Material:

- 1.1 Insulator: Thermoplastic UL94V-0 color:black.
- 1.2 Contact: Phosphor bronze T=0.30mm.
- 1.3 Shell: Brass,t=0.40mm.
- 1.4 Spacer: Thermoplastic UL94V-0 color:black.

2.Specification:

- 2.1 Current rating: 0.5 A Max.
- 2.2 Voltage rating:40V AC(rms) Max.
- 2.3 Contact resistance: 50 milliohms Max.
- 2.4 Dielectric withstanding voltage:100V(ac) for 1 min.
- 2.5 Insulation resistance: 1000 MΩ Min.
- 2.6 Operation temperature range:-25C~+85°C



| | | | |
|-----------------------|--------------------|-----------------------|---------------|
| PART NO: | MATERIAL: | PART NAME: | |
| MODEL NO: | FINSH: | HDM-19PIN(M) 180° DIP | |
| UNIT: mm | COLOR: | DWG NO: | REV: A0 |
| SIZE: A4 | | S/A-380 | |
| TOLERANCE UNSPECIFIED | DR: 段林麗 06/04/28 | SCALE: 1:1 | SHEET: 1 of 1 |
| ±0.3 | CHK:Kevin 06/04/28 | | |
| ±0.20 | APP: Kent 06/04/28 | | |
| ±0.100 | | | |
| ANG. ±1° | | | |



PART NAME:
HDM-19PIN(M) 180° DIP

DWG NO: S/A-380

SCALE: 1:1 SHEET: 1 of 1

