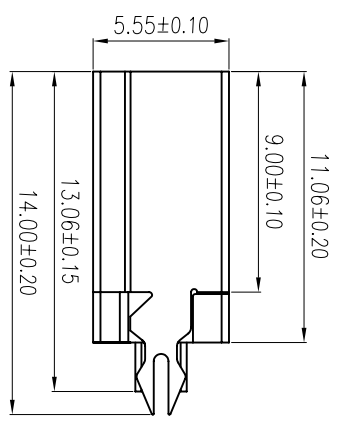
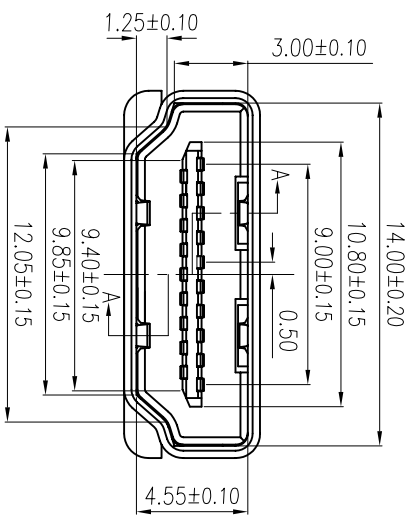
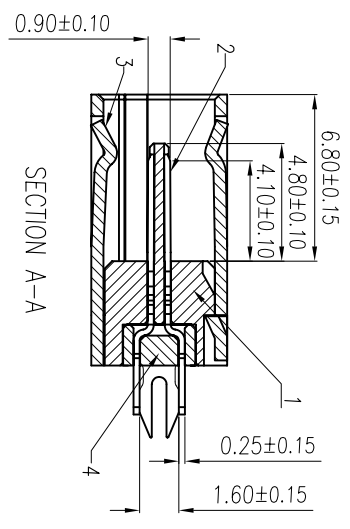
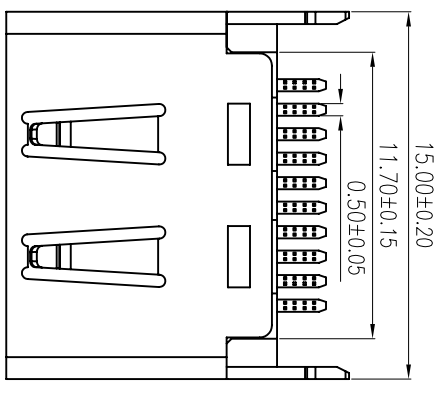


REV.	ECN NO.	LOCATIONS	DESCRIPTION	DATE	REVISER	APPD



- Note:
- Material:
 - Insulator: Thermoplastic UL94V-0 color:back.
 - Contact: Phosphor bronze T=0.25mm.
 - Shell: Brass,t=0.50mm.
 - Specification:
 - Current rating: 0.5 A Max.
 - Voltage rating:40V AC(rms) Max.
 - Contact resistance: 50 milliohms Max.
 - Dielectric withstanding voltage:100V(ac) for 1 min.
 - Insulation resistance: 1000 MΩ Min.
 - Operation temperature range:-25°C~+85°C

PART NO:	MATERIAL:	PART NAME:	
MODEL NO:	FINISH:	HDMI-19PIN(F) 180°DIP	
UNIT: mm	SIZE: A4	DR: 吳曉亮 06/09/06	DWG NO: S/A-383
TOLERANCE UNSPECIFIED		CHK: Kevin 06/09/06	SCALE: 3:1
.x ±0.3	.xx ±0.20	APP: Kent 06/09/06	SHEET: 1 of 2
.xxx ±0.100	ANG. ±1°	REV: A0	

HSI-CHIN ELECTRONICS CO.,LTD