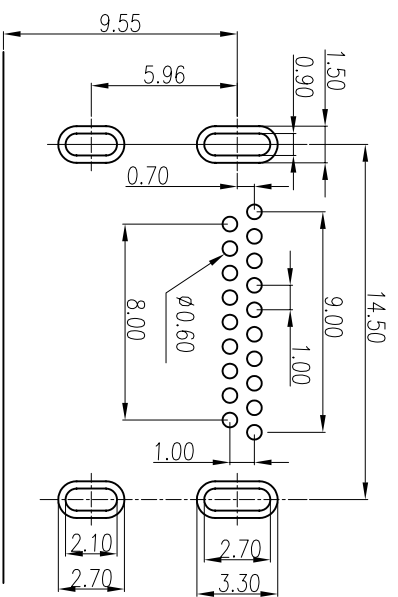


DETAIL B
SCALE 5:1



RECOMMENDED PCB LAYOUT
GENERAL TOLERANCE ±0.05

T=1.6±0.15

Note:

1. Material:

- 1.1 Insulator: Thermoplastic UL94V-0 color:back.
- 1.2 Contact: Phosphor bronze T=0.25mm.
- 1.3 Shell: Brass,t=0.50mm.

2. Specification:

- 2.1 Current rating: 0.5 A Max.
- 2.2 Voltage rating:40V AC(rms) Max.
- 2.3 Contact resistance: 50 milliohms Max.
- 2.4 Dielectric withstanding voltage:100V(ac) for 1 min.
- 2.5 Insulation resistance: 1000 MΩ Min.
- 2.6 Operation temperature range:-25°C~+85°C

REV.	ECN NO	LOCATIONS	DESCRIPTION	DATE	REVISER	APPD

PART NO:	MATERIAL:	PART NAME:	
MODEL NO:	FINSH:	HDMI-19PIN(F) 90° DIP	
UNIT: mm	SIZE: A4	DR: 段林麗	06/04/28
TOLERANCE UNSPECIFIED		CHK: Song	06/04/28
X	±0.2	App: Kent	06/04/28
.XX	±0.10	SCALE: 3:1	SHEET: 1 of 2
.XXX	±0.05	REV: A0	
ANG.	±T		

HSI-CHIN ELECTRONICS CO., LTD