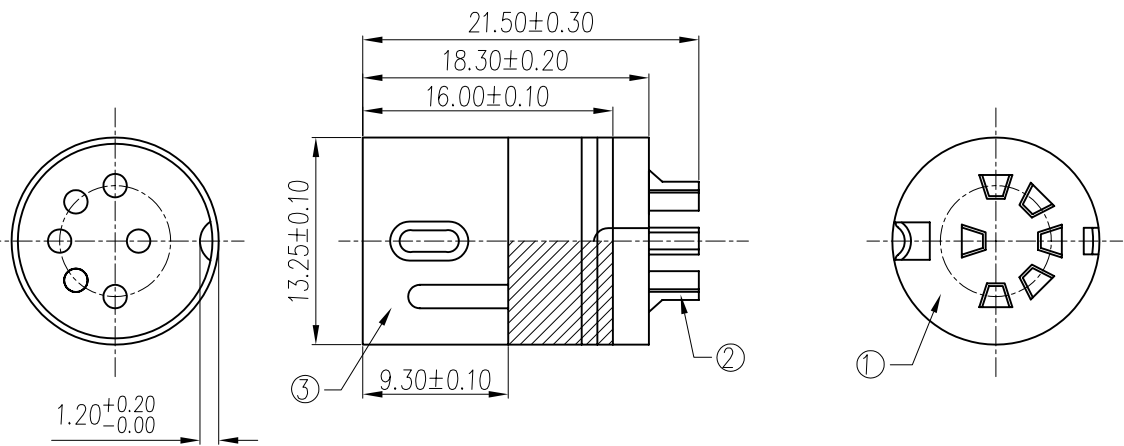
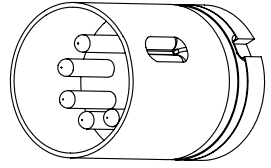


REV.	ECN NO	LOCATIONS	DESCRIPTION	DATE	REVISER	APPD



Note:

Specification:

1. Current rating: 1 A Max.
2. Dielectric withstanding voltage: 500 V(ac) for 1 minute.
3. Contact resistance: 30 mΩ Max.
4. Insulation resistance: 1000 MΩ Min at DC 500V.
5. Total unmating force: 7.0 Kgf Max.
6. Total unmating force: 4.0 Kgf Min.
7. Temperature range: -55°C~+105°C

NO.OF CONTACT	3(180°)	4(210°)	5(180°)	6(240°)	7(270°)	8(270°)
PART NO.	DIN-3P	DIN-4P	DIN-5P	DIN-6P	DIN-7P	DIN-8P
POSITION						

3	Shell	1	Brass	T=0.40mm	80~120u"Nickel Plated
2	Contact	3~8	Brass	T=0.20mm	80~120u"Tin/Nickel Plated
1	Housing	1	PBT	UL 94-V0	Black/Lovry/Gray
No.	Name	Q'ty	Material	Remarks&Thickness	Finish

PRAT NO:		MATERIAL:			
MODEL NO:		FINSH:			
UNIT: mm	SAZE: A4	COLOR:		PART NAME:	
TOLERANCE UNSPECIFIED		DR: 吳曉亮 07/06/12		DIN 3~8PIN(M) SOLDER	
.X ±0.30	.XX ±0.20	CHK: Kevin 07/06/12		DWG NO: S/A-363	REV. A0
.XXX ±0.10	ANG ±1°	APP: Kent 07/06/12		SCALE: 1:1	SHEET: 1 of 1

ROHS Compliant

