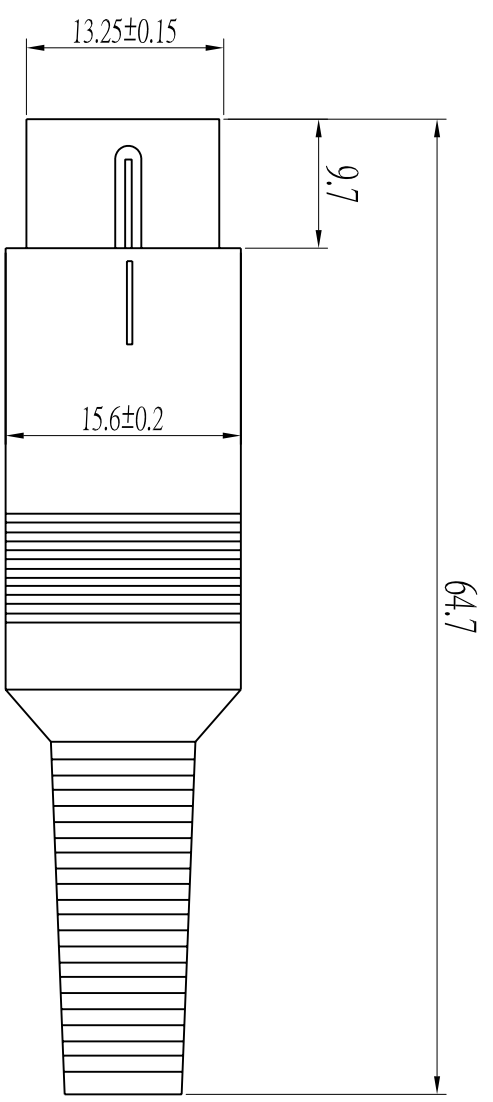


REV.	ECN NO.	LOCATIONS	DESCRIPTION	DATE	REVISER	APPD.



NO. OF CONTACT	PART NO.	POSITION
3(180°)	DIN-3P	
4(210°)	DIN-4P	
5(180°)	DIN-5P	
6(240°)	DIN-6P	
7(270°)	DIN-7P	
8(270°)	DIN-8P	

- ]Note:
- Material:
    - Insulator: High temperature thermoplastic with g.f.U.L94v-0
    - Contact: Copper alloy,t=0.20mm
    - Shell: Spcc,t=0.30mm
  - Specification:
    - Current rating: 1 A Max.
    - Dielectric withstanding voltage: 750 V(ac) for 1 min.
    - Contact resistance: 30 mΩ Max.
    - Insulation resistance: 1000 MΩ Min.
    - Total mating force: 5.5 Kgf Max.
    - Total unmating force: 1.0 Kgf Min.
    - Temperature range: -55°C~85°C

No.	Name	Qty	Part No.	Finish
8	Back-shell			
7	Front-shell			
6	Clip			No finish
5	Contact			Selective Au plated on mating area
4	Contact			
3	Contact			
2	Contact			
1	Housing			Black

PART NO:		MATERIAL:	
MODEL NO:	FINSH:	COLOR:	
UNIT: mm	SIZE:	DR: <i>WuSheng</i>	PART NAME: DIN (M) ASSEMBLY
TOLERANCE UNSPECIFIED		CHK: <i>Nick</i>	DWG NO: HC-015-03
x	±0.3	APP: <i>Scnd</i>	SCALE: 2:1
.xx	±0.20		SHEET: 1 of 1
.xxx	±0.100		REV: A0
ANG.	±1°		

