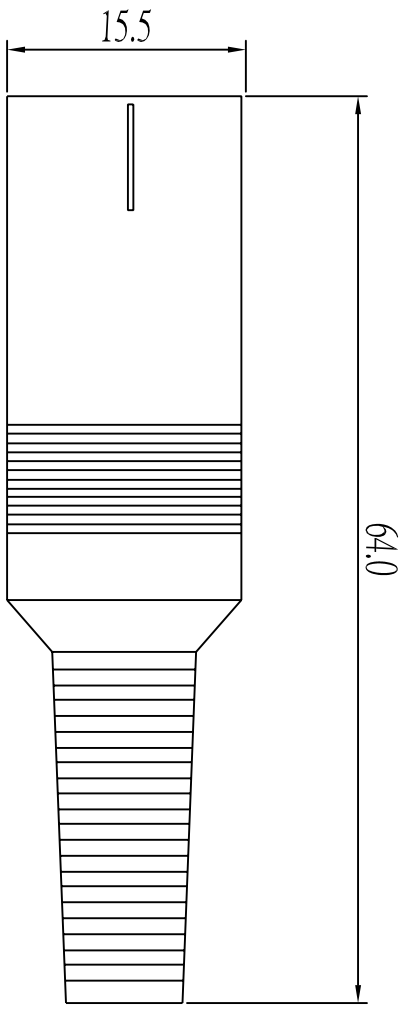
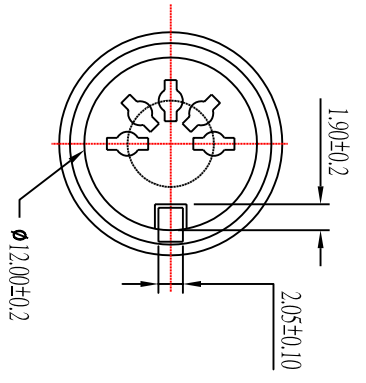


REV.	ECH NO	LOCATIONS	DESCRIPTION	DATE	REVISER	APPD



NO.OF CONTACT	3(180°)	4(210°)	5(180°)	6(240°)	7(270°)	8(270°)
PART NO.	DIN-3S	DIN-4S	DIN-5S	DIN-6S	DIN-7S	DIN-8S
POSITION						

- 2.Specification:**
- 2.1 Current rating: 1 A Max.
  - 2.2 Dielectric withstanding voltage: 750 V(ac) for 1 min.
  - 2.3 Contact resistance: 30 mΩ Max.
  - 2.4 Insulation resistance: 1000 MΩ Min.
  - 2.5 Total mating force: 5.5 Kgf Max.
  - 2.6 Total unmating force: 1.0 Kgf Min.
  - 2.7 Temperature range: -55°C~85°C

No.	Name	Qty	Part No.	Finish
8	Back-shell			
7	Front-shell			
6	Clip			No finish
5	Contact			
4	Contact			
3	Contact			
2	Contact			
1	Housing			Black

<b>PART NO.:</b>	<b>MATERIAL:</b>
<b>MODEL NO.:</b>	<b>FINSH:</b>
<b>UNIT:</b> mm	<b>COLOR:</b>
<b>SIZE:</b>	

<b>TOLERANCE UNSPECIFIED</b>	<b>DR:</b> <i>Yueyong</i>	<b>PART NAME:</b> DIN (F) ASSEMBLY
.x ±0.3	<b>CHK:</b> <i>Jack</i>	<b>DWG NO.:</b> HC-016--3
.xx ±0.20	<b>APP:</b> <i>Jack</i>	<b>SCALE:</b> 2:1
.xxx ±0.100		<b>SHEET:</b> 1 of 1
ANG. ±1°		<b>REV:</b> A0

**HSI-CHIN ELECTRONICS CO.,LTD**

